

A

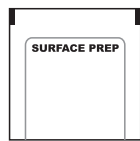


B



2x

C



1x





1



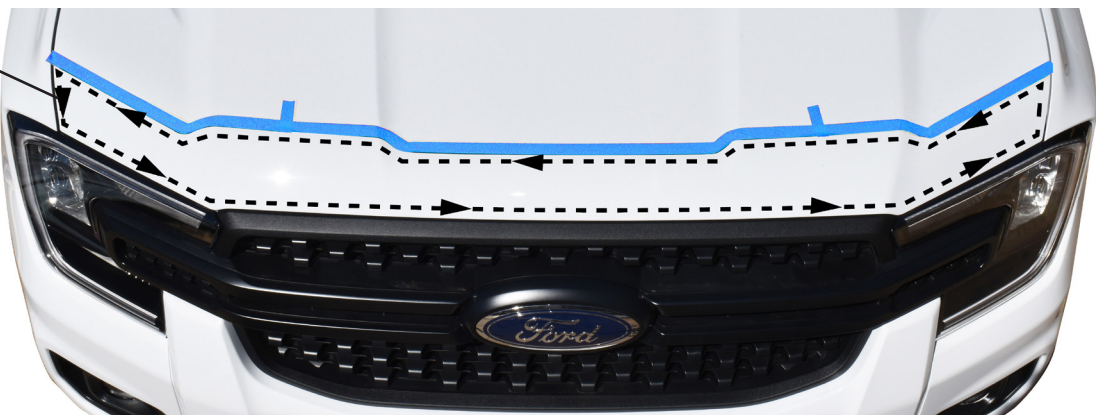
2

Alcohol Pad

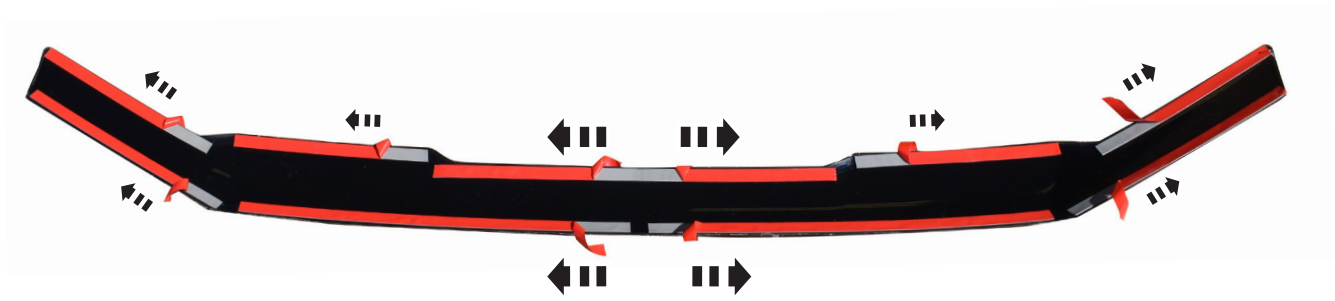


3

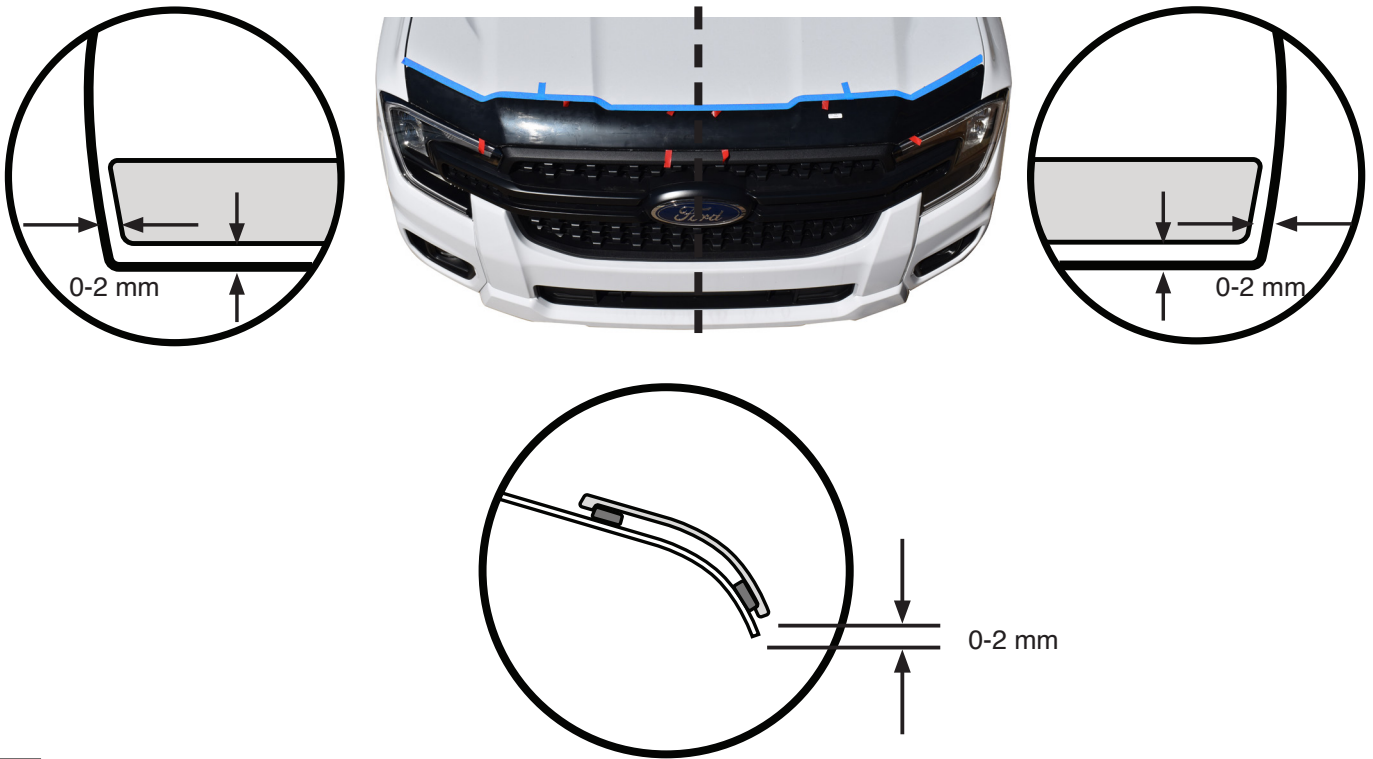
SURFACE PREP



4



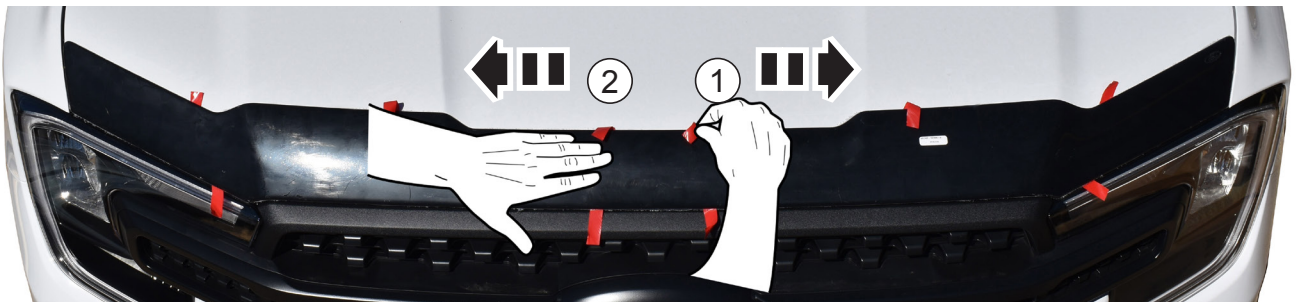
5



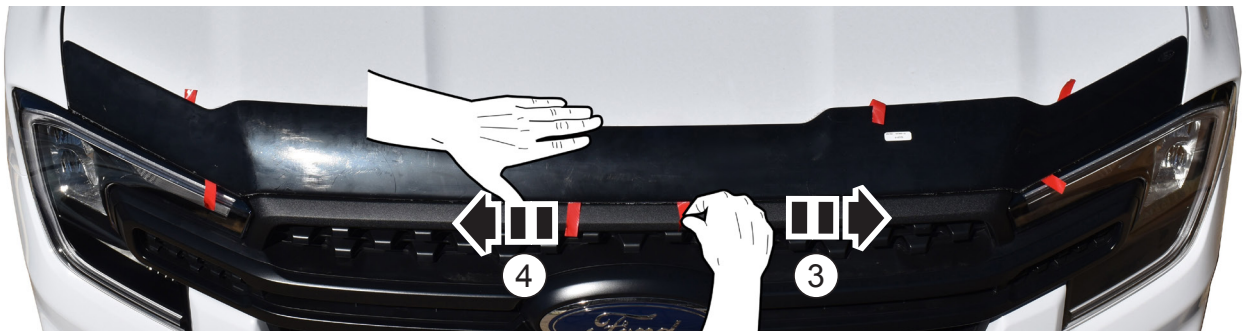
6



7



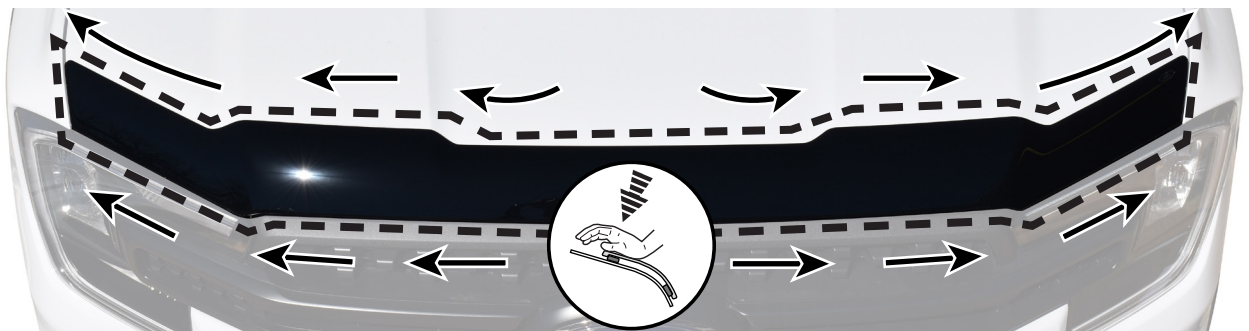
8



9



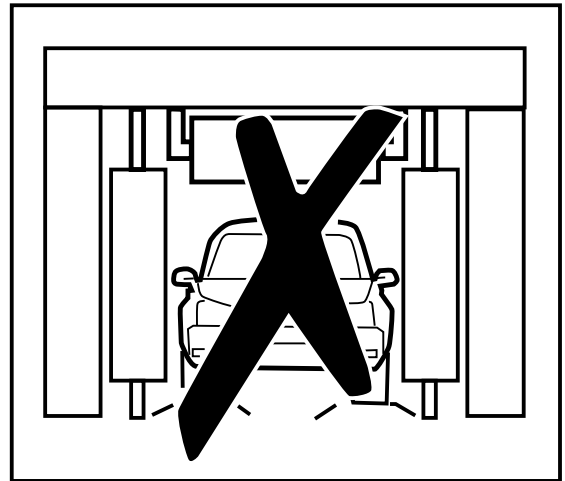
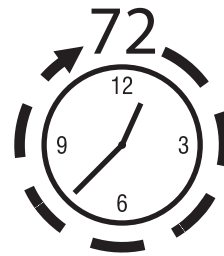
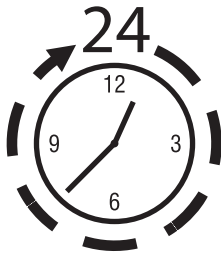
10



11



12



13

