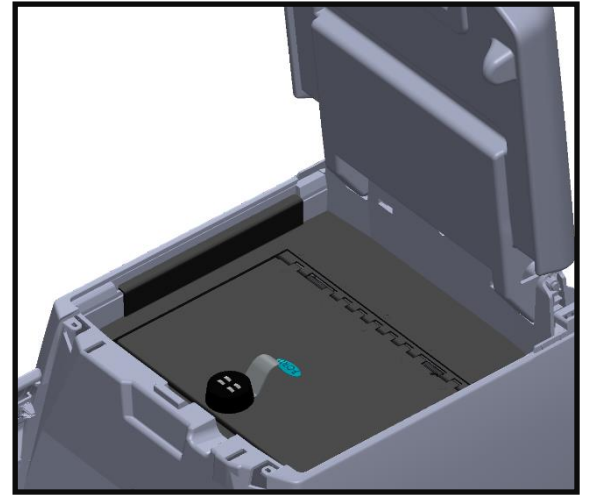


## Super Duty 2023+ Instruction Sheet (1127)



### Installation Steps:

1. If applicable, reset the combination lock before beginning installation.
2. Remove all contents from the center console, only leaving the rubber pad at the bottom.
3. With the door in the open position, carefully slide in the safe body with the lock facing towards the front of the vehicle figure **(1)**. Be sure that the safe hangers are sitting directly on the file hanger features so the safe is fully seated in the console.
4. Tighten each of the 4 self-drilling screws, **DO NOT OVER TIGHTEN**, these screws are designed to cut into the bin while turning. Once the screw is fully seated against the nut, **STOP**. Over tightening will damage the fitting. 4 screw locations shown in figure **(2)**.
5. The installation is now complete.

