

Ford F-150

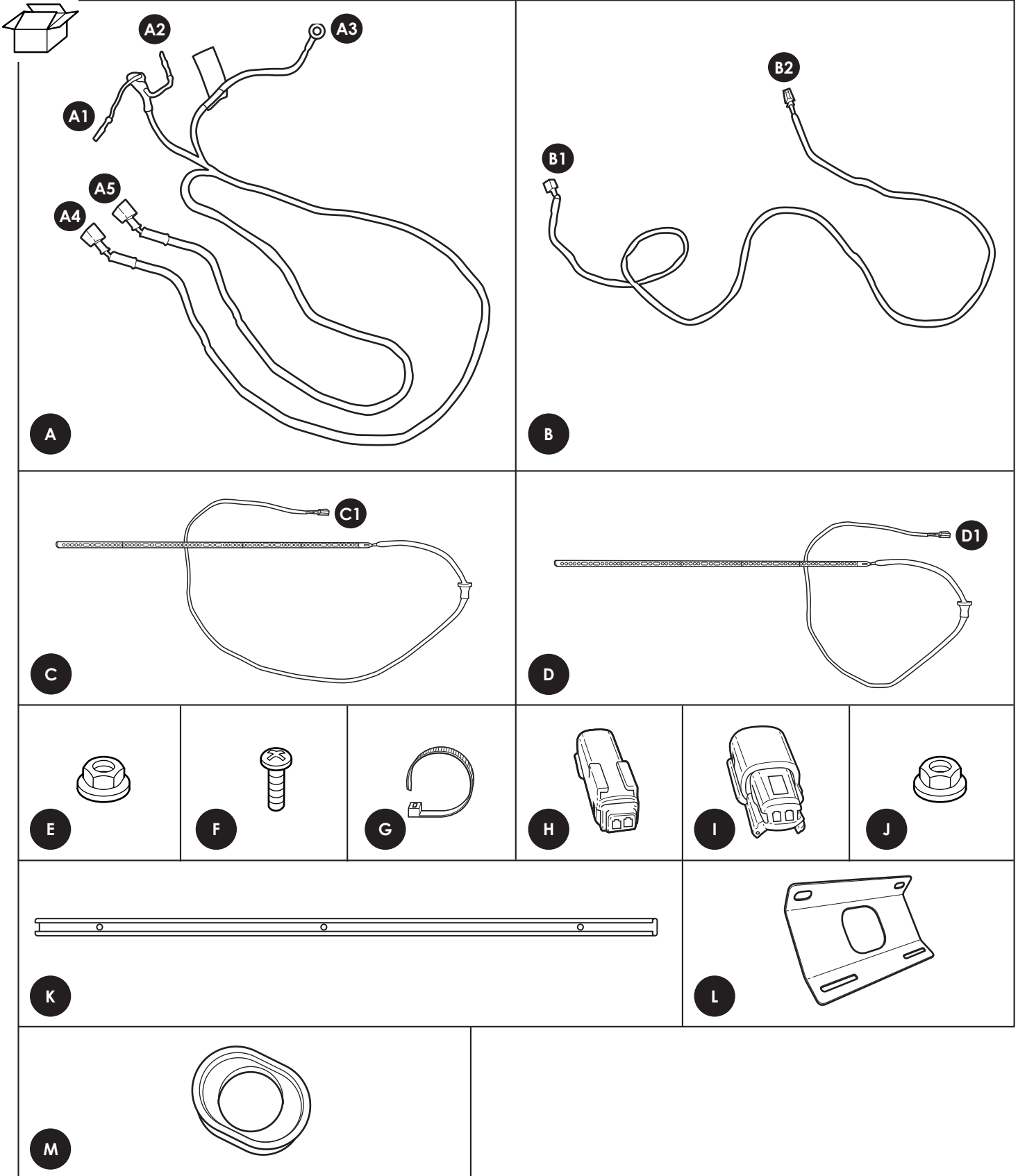
Underbody Lighting

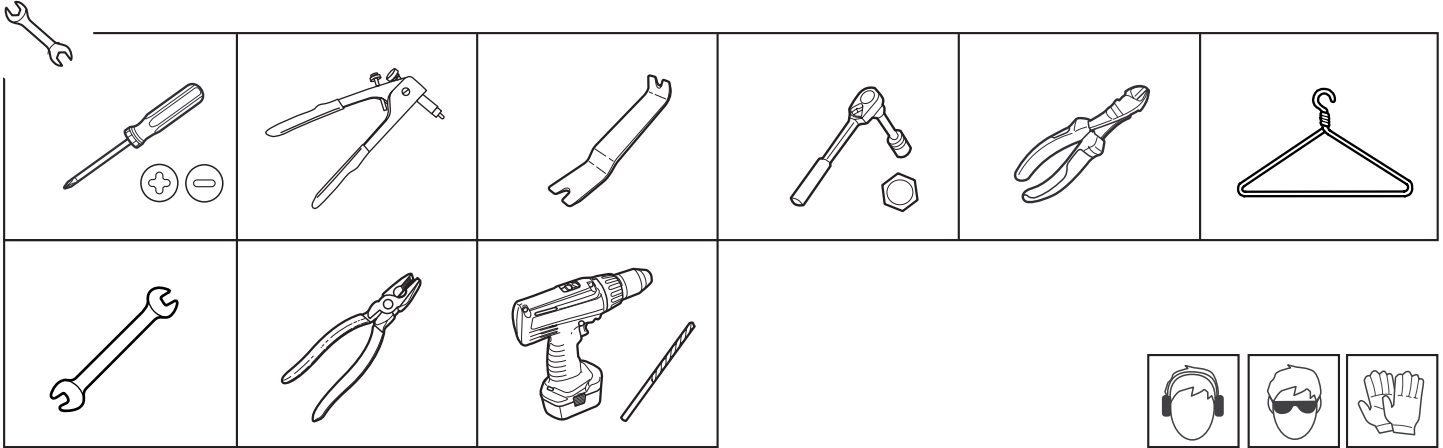
Éclairage pour soubassement de carrosserie

Iluminación de chasis

Fitting Time / Durée D'installation / Tiempo De Adaptación: 50 minutes





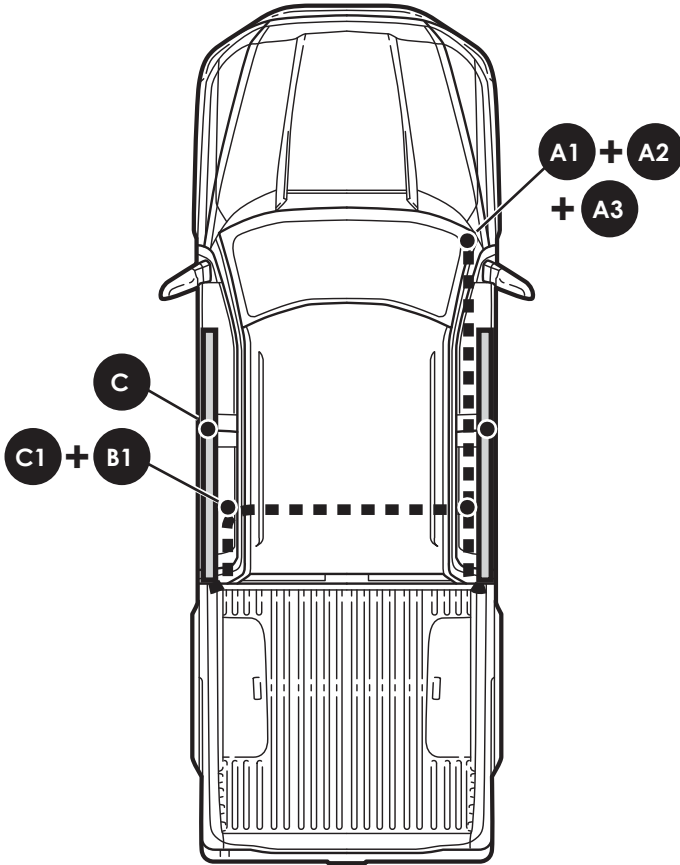
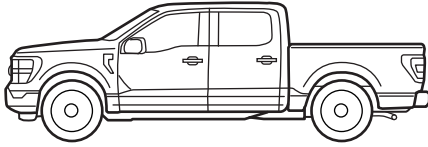


	EN	FR	ES
	Position/Location	Flèche de Position	Flecha de posición
	Movement	Flèche indiquant sens du mouvement	Flecha de movimiento
	Disconnect	Déconnecter	Desconecte
	Connect	Connecter	Conecte
	Left & right side of the vehicle	Côté gauche et droit du véhicule	El lado izquierdo y derecho del vehículo
	Positive connection battery terminal lug	Borne „plus" de la batterie	Conexión positiva de batería
	Ground connection battery terminal lug	Borne „moins" de la batterie	Conexión negativa de batería
	Vehicle Forward Direction	Véhicule à traction avant	Dirección frontal del vehículo
	See workshop manual	Se référer au manuel d'atelier	Consultar el manual del taller
	Look at page nr. ...	Se référer à la page n° ...	Mirar en la página n°...
	Attention / important advice	Attention / mise en garde	Atención / aviso importante
	Vehicle part	Pièce du véhicule	Pieza de vehículo

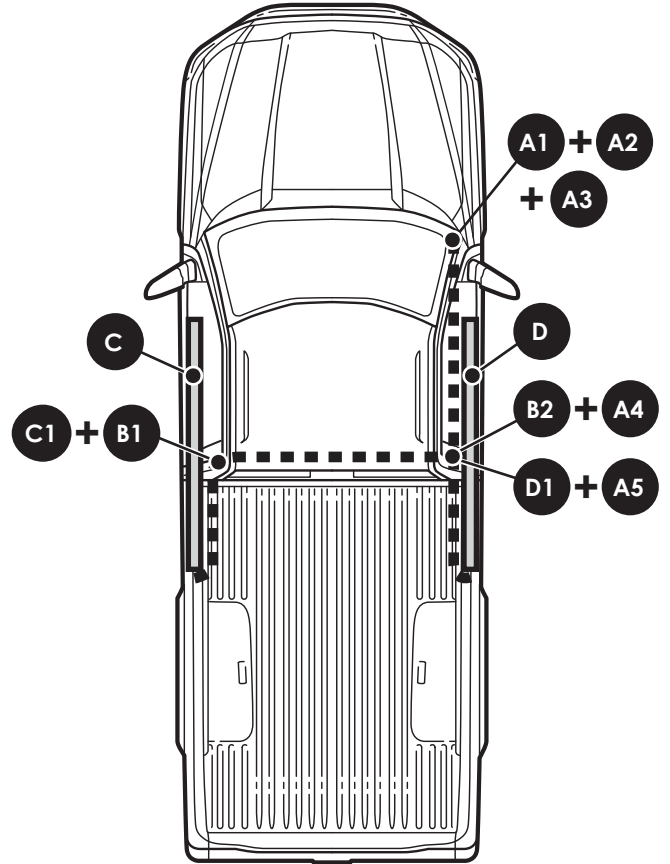
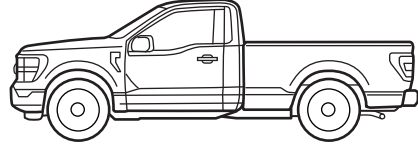
	BK	WH	GY	GN	RD	BU	YE	BN	VT	OG
EN	black	white	grey	green	red	blue	yellow	brown	purple	orange
ES	negro	blanco	gris	verde	rojo	azul	amarillo	marrón	violeta	naranja
FR	noir	blanc	gris	vert	rouge	bleu	jaune	brun	violet	orange



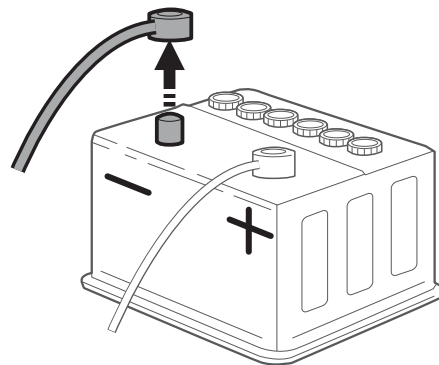
EN **SUPER CREW**
 FR **QUATRE PORTES**
 ES **CUATRO PUERTAS**



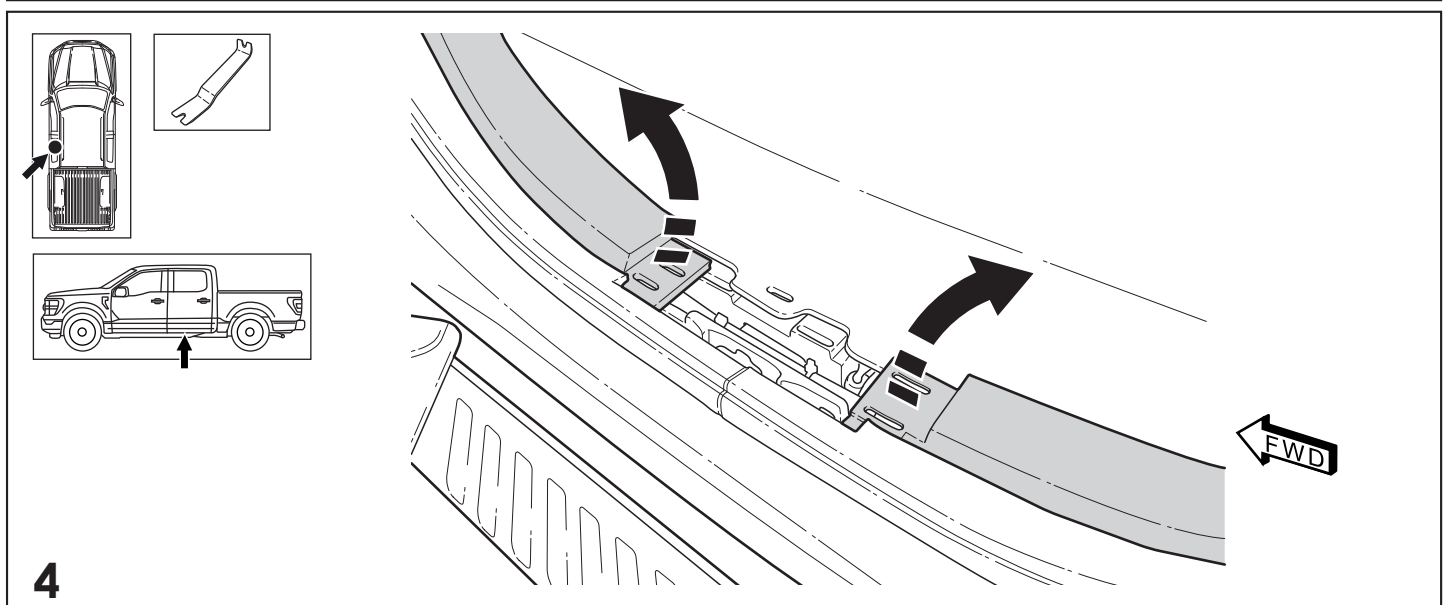
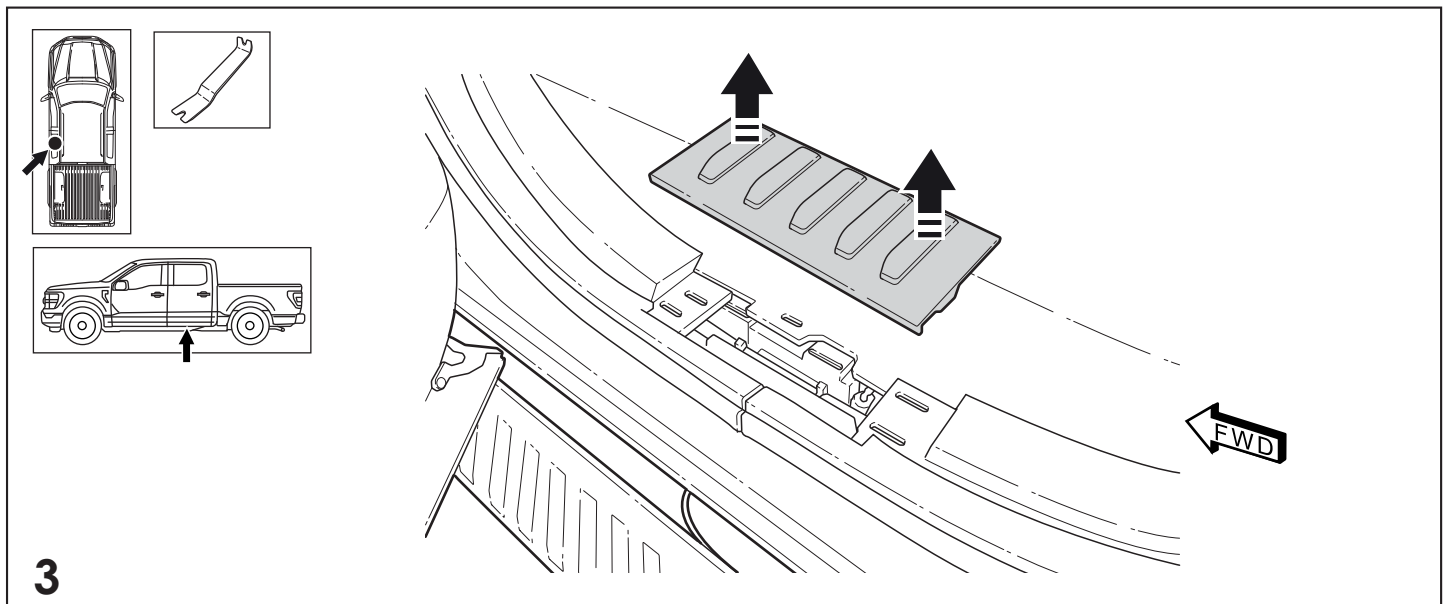
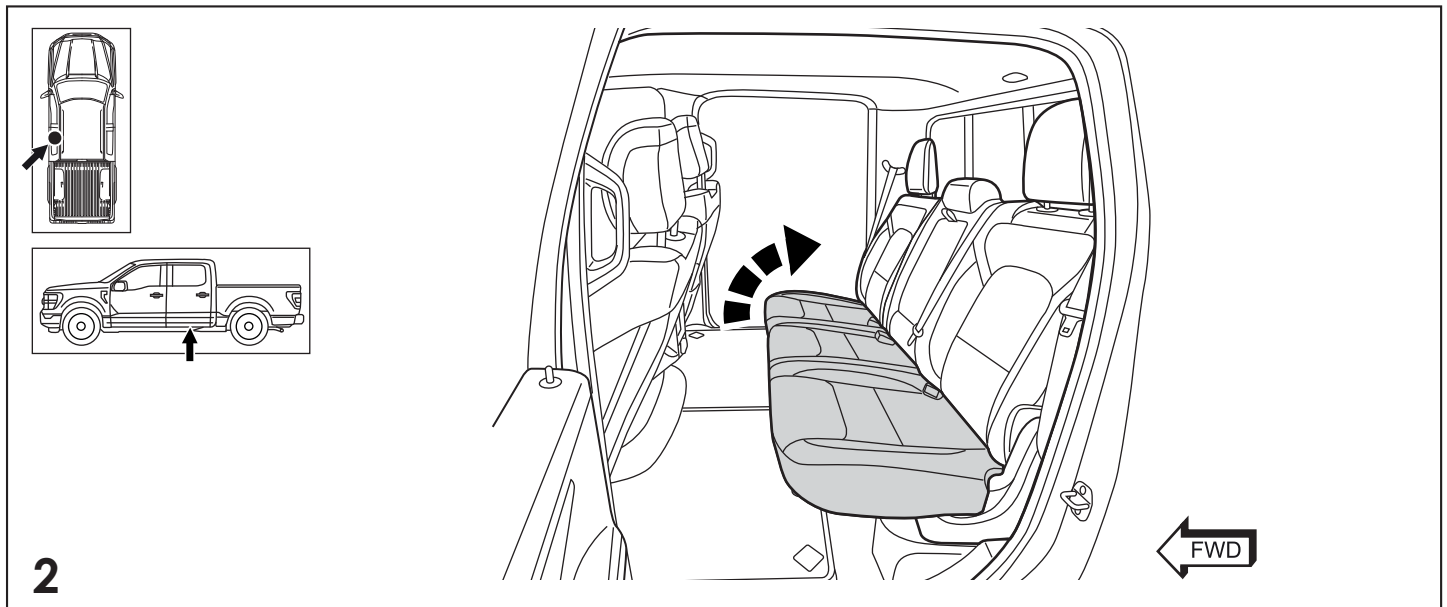
EN **REGULAR CAB**
 FR **DEUX PORTES**
 ES **DOS PUERTAS**

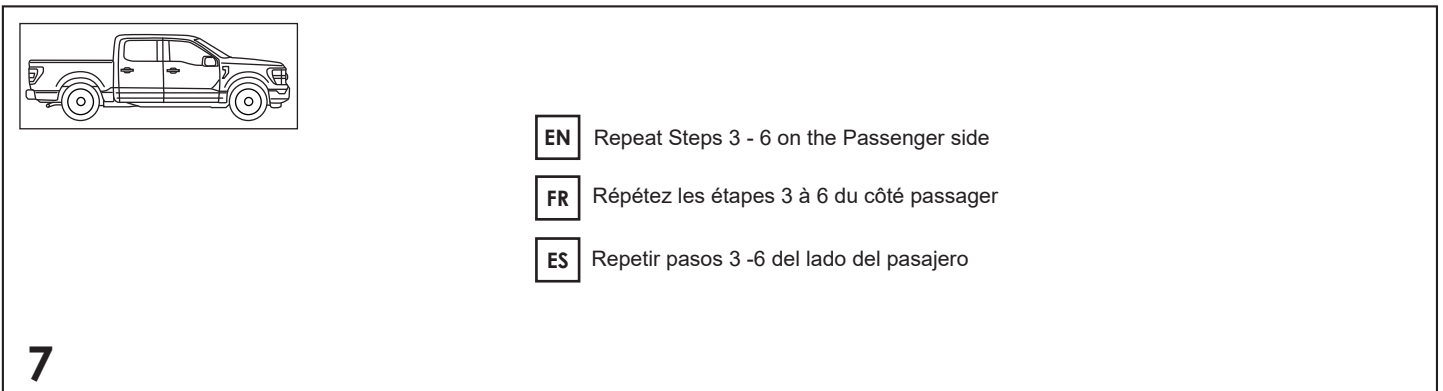
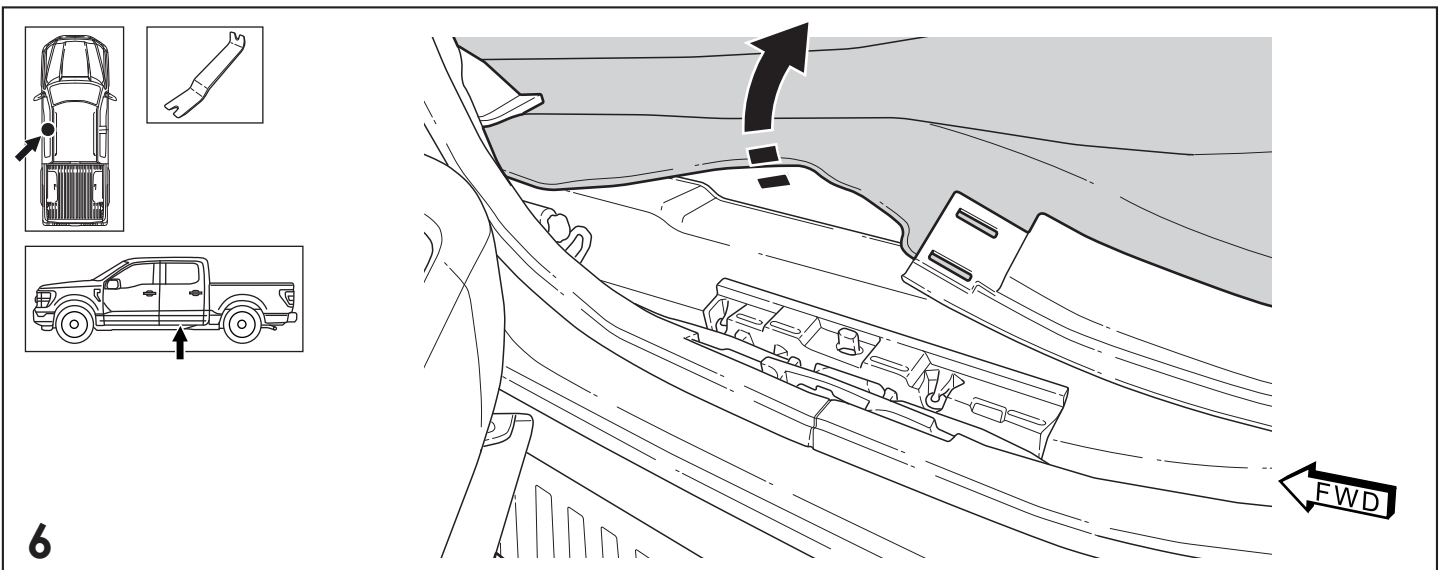
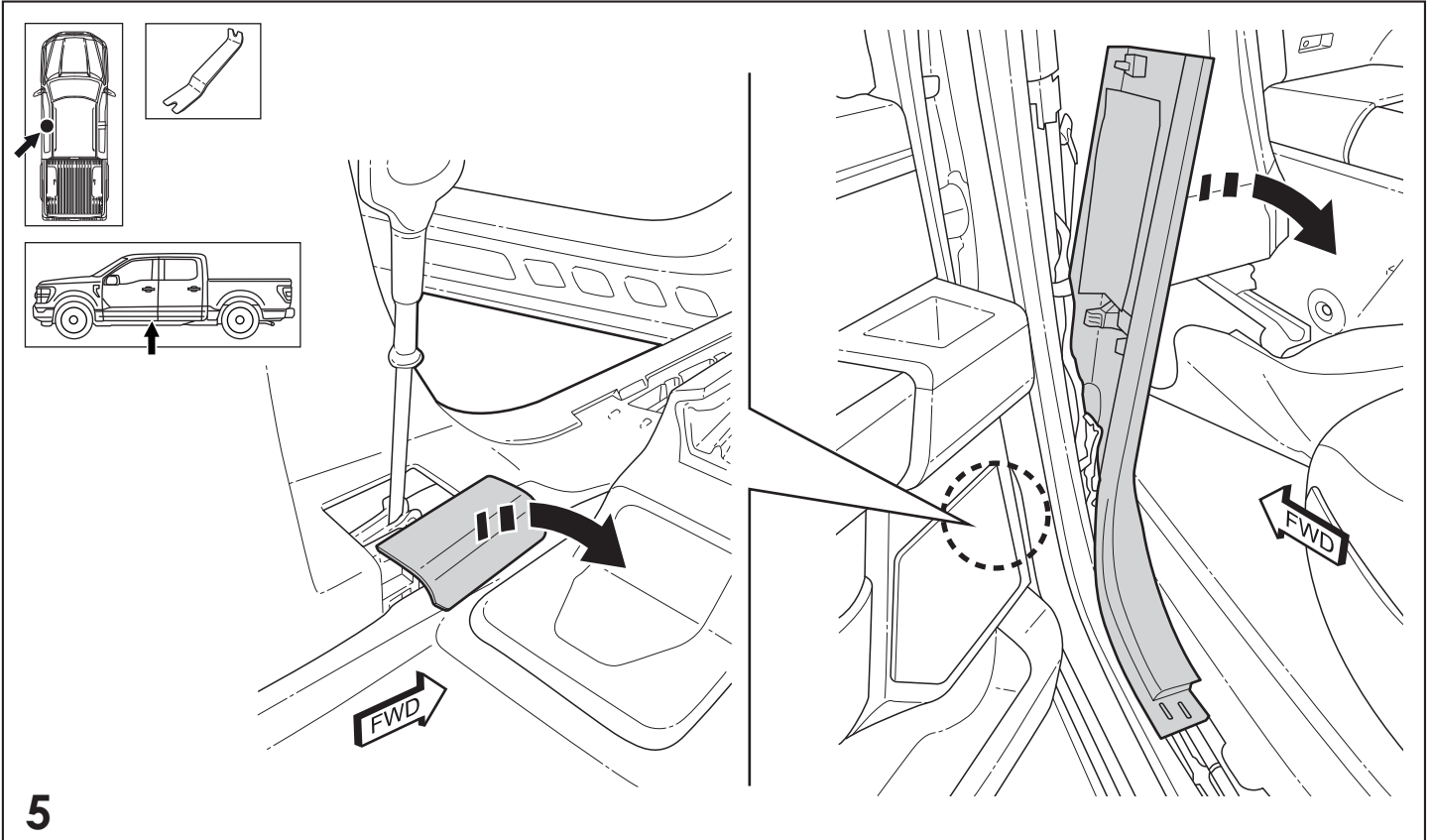


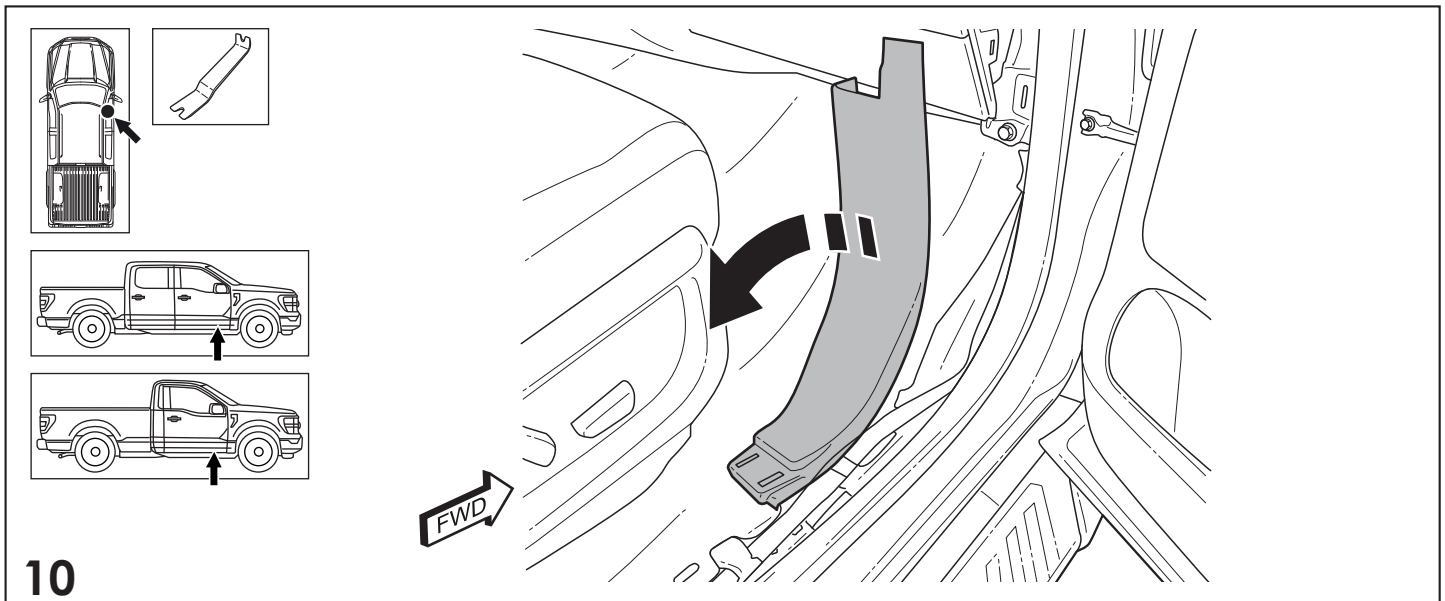
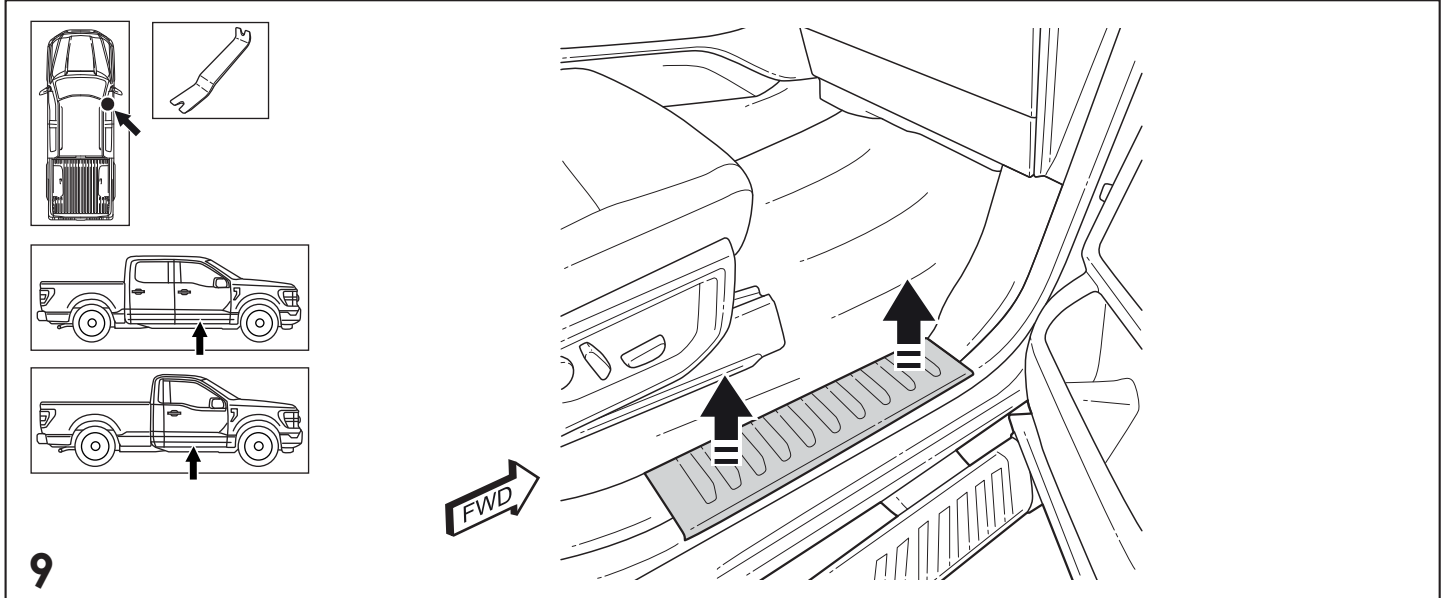
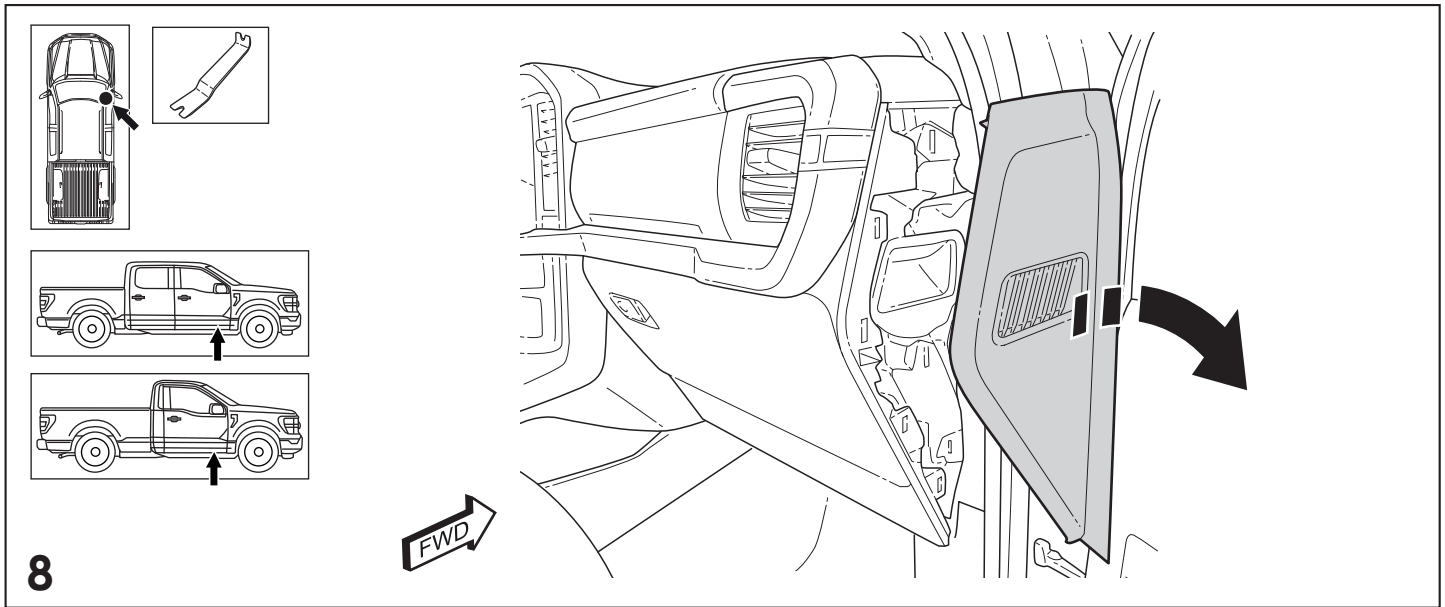
Important

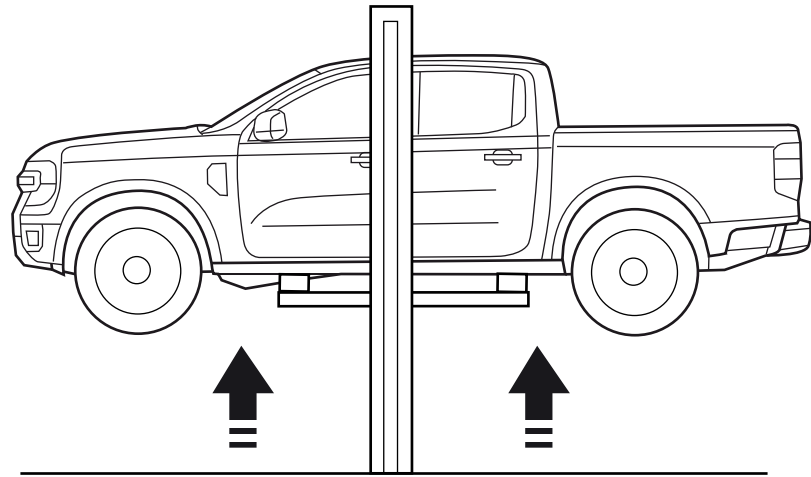
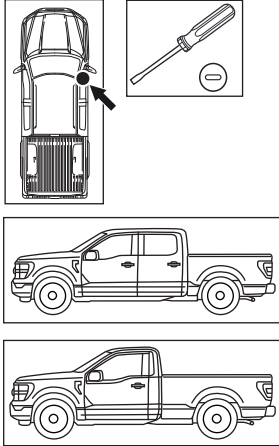


1







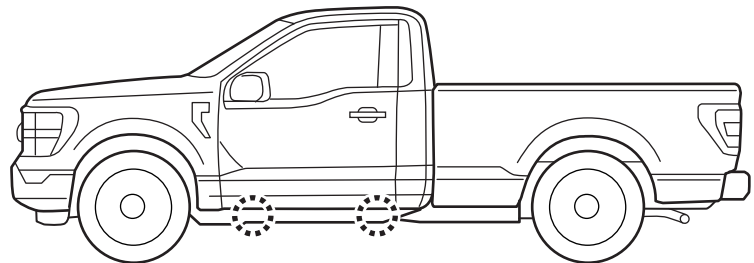
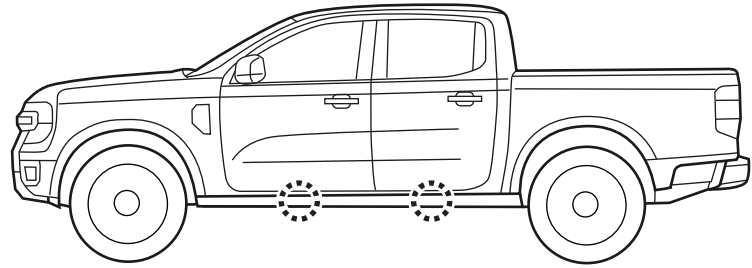


11

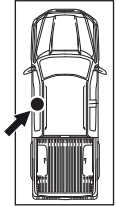
EN Locate mounting studs inside chassis rail.

FR Localisez les goujons de montage à l'intérieur du châssis.

ES Ubique los pernos de montaje dentro del chasis.



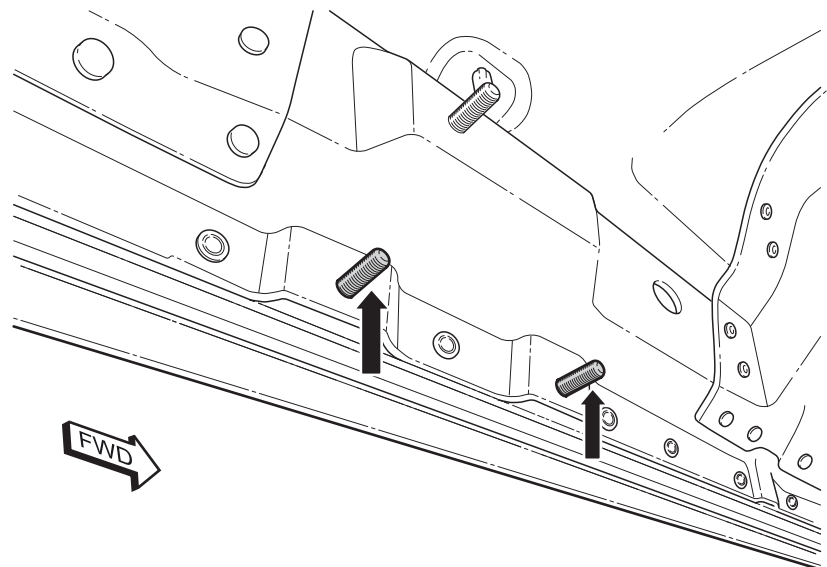
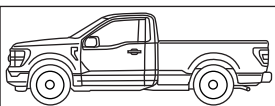
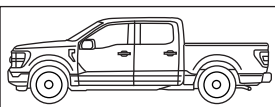
12



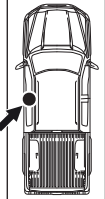
EN Without side steps.

FR Sans marches latérales.

ES Sin escalones laterales.




13

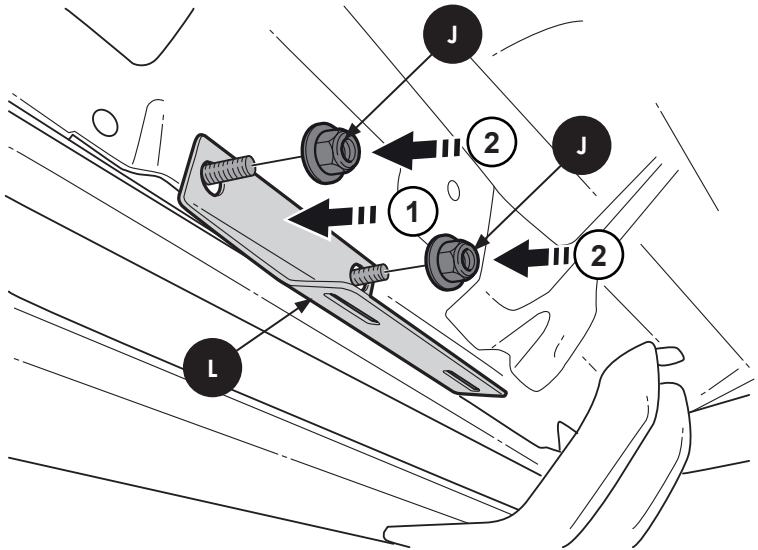


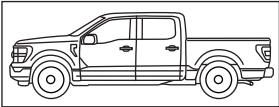
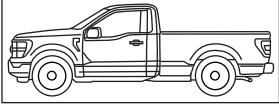
EN Without side steps.

FR Sans marches latérales.

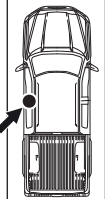
ES Sin escalones laterales.





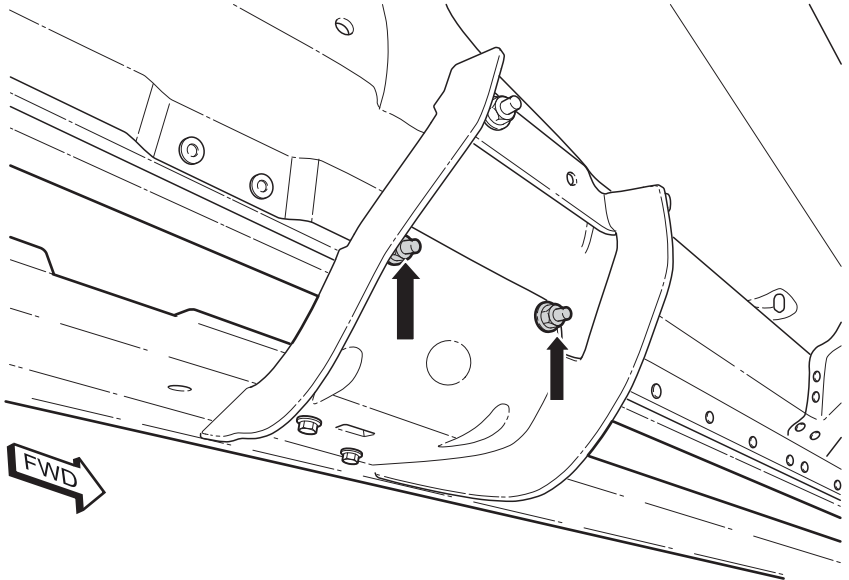
14

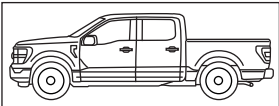
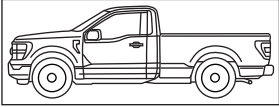


EN With side steps.

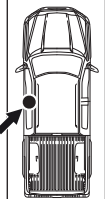
FR Avec marches latérales.

ES Con escalones laterales.




15

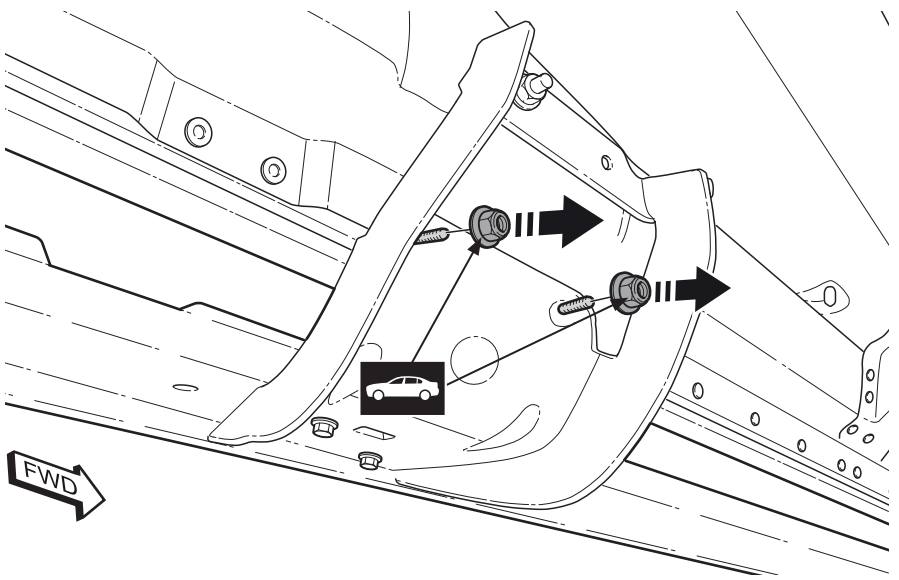


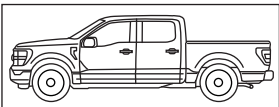
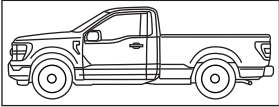
EN With side steps.

FR Avec marches latérales.

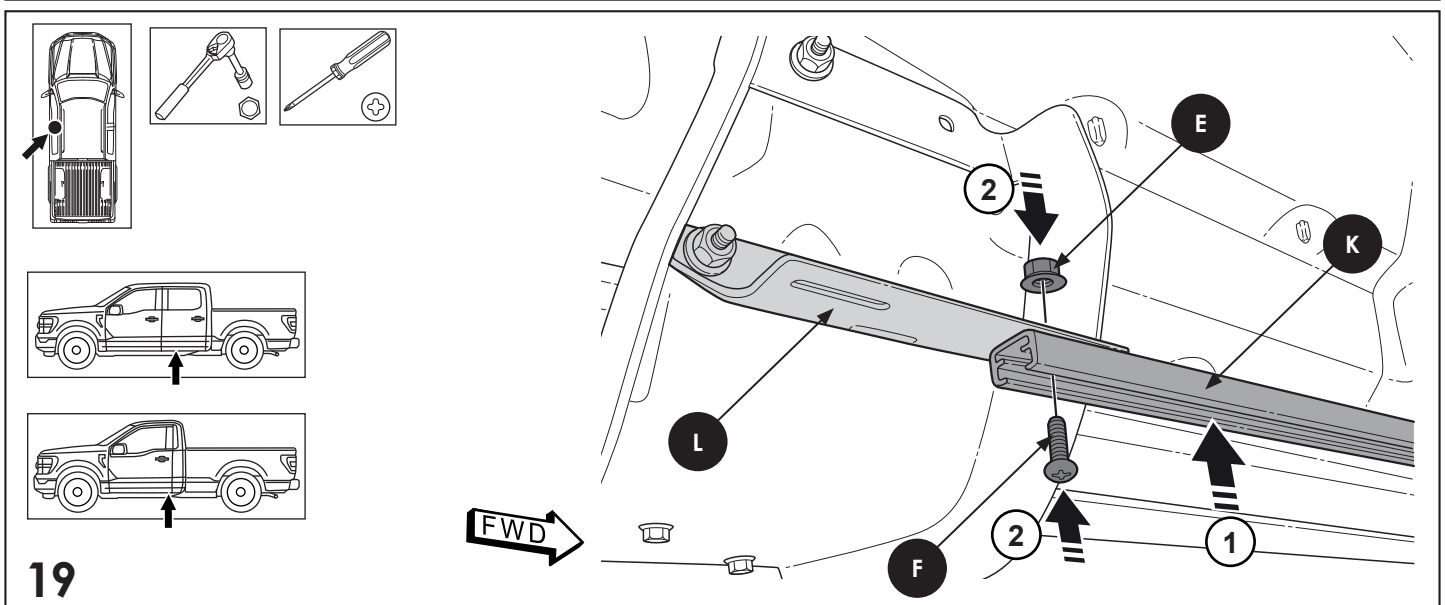
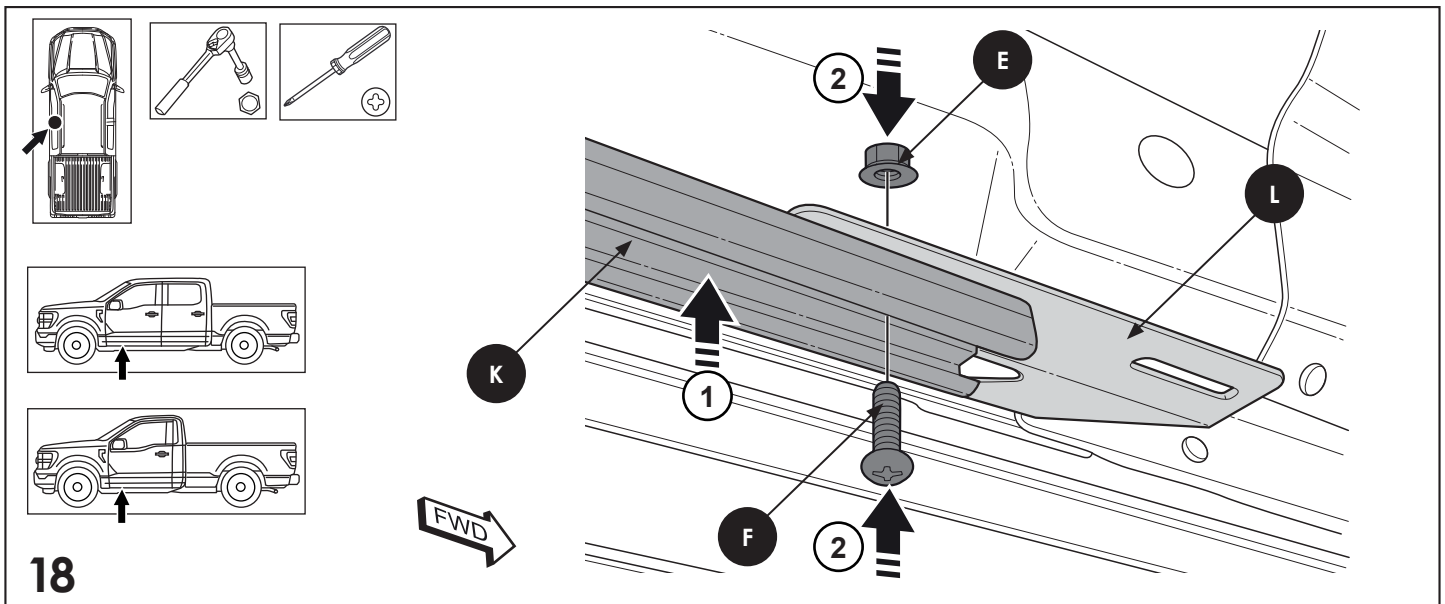
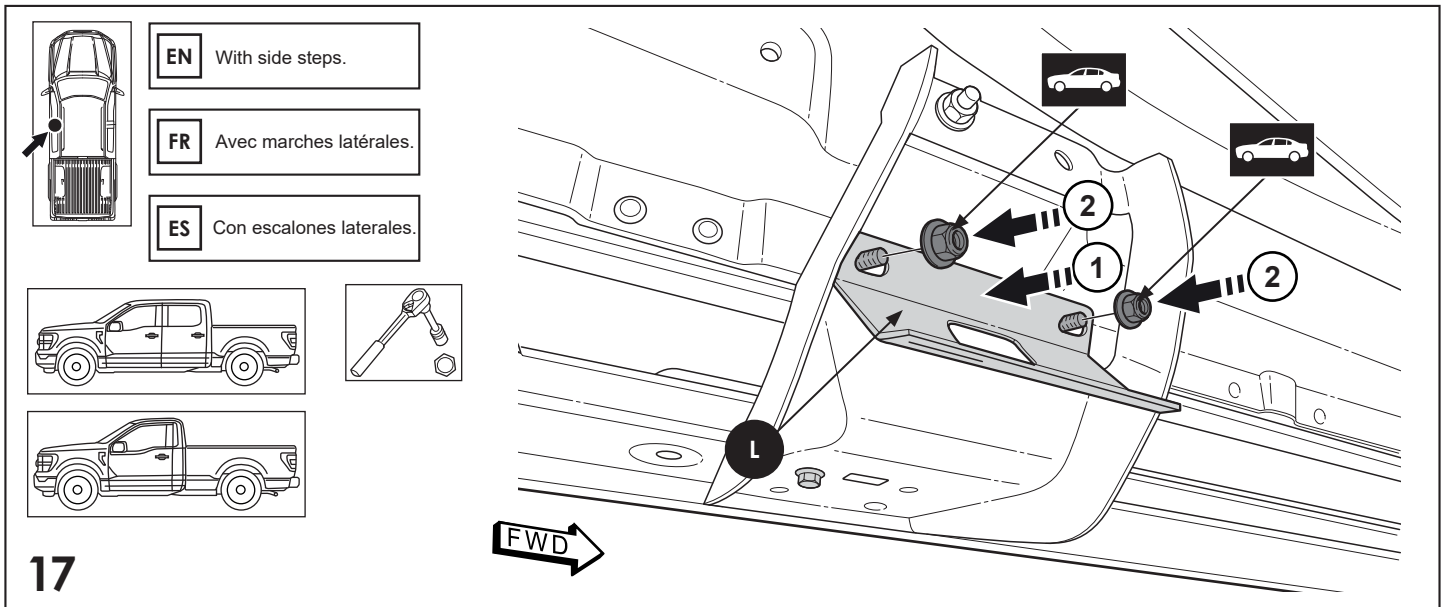
ES Con escalones laterales.

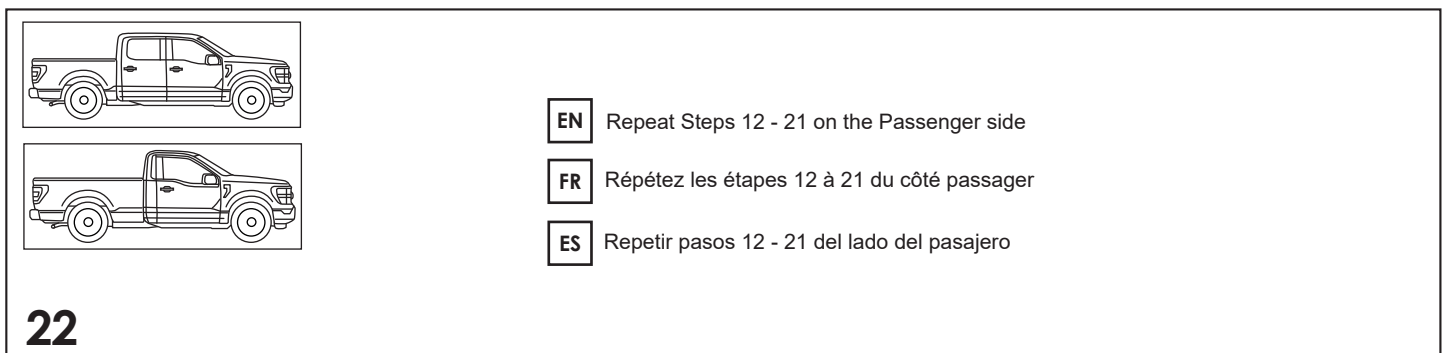
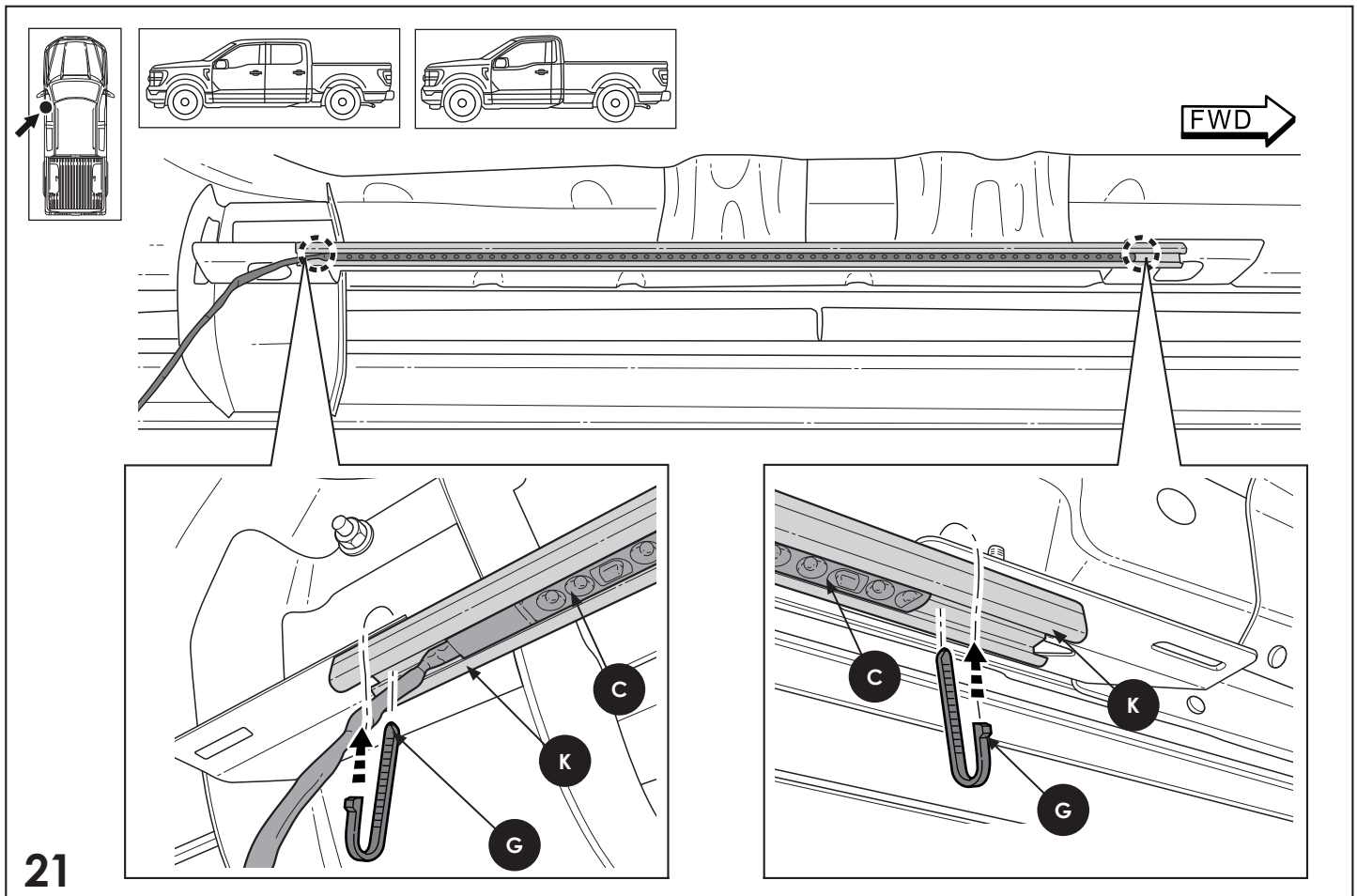
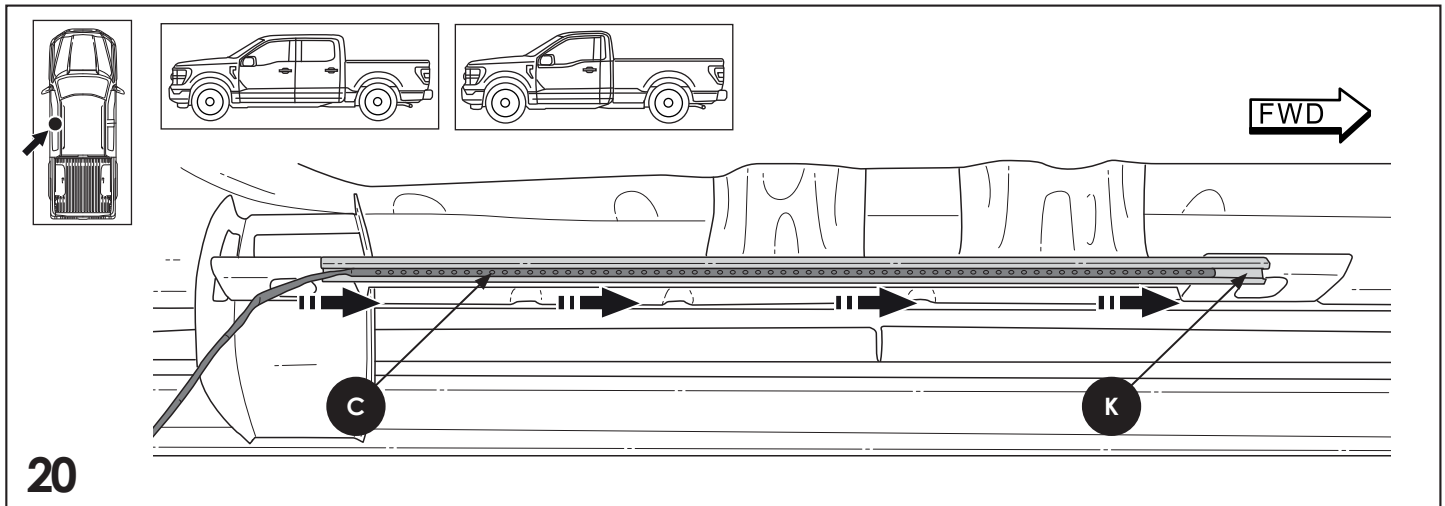


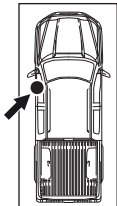


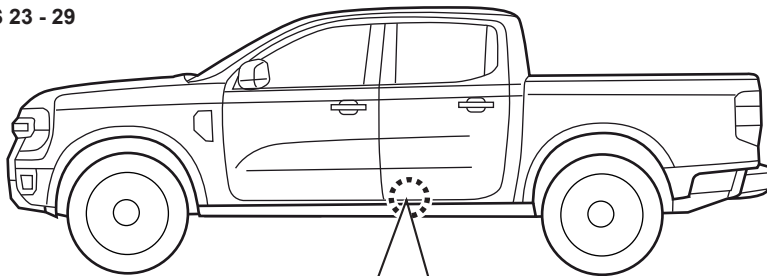
16







- EN** SUPER CREW: FOLLOW STEPS 23 -29
- FR** QUATRE PORTES: SUIVEZ LES ÉTAPES 23 À 29
- ES** CUATRO PUERTAS: SIGA LOS PASOS 23 - 29

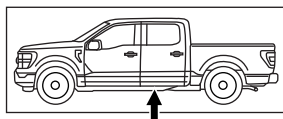
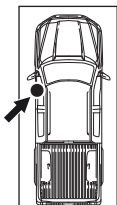


Important **EN** Do not damage carpet.

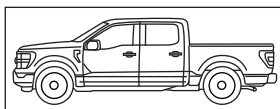
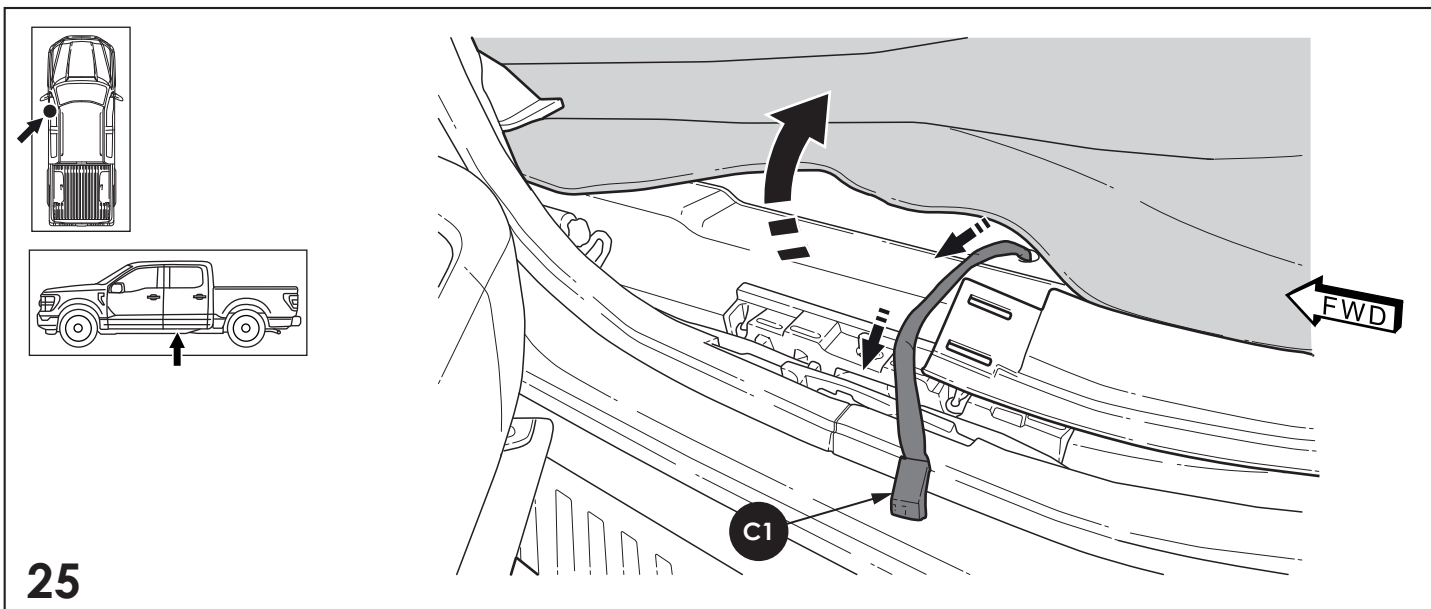
Important **FR** N'endommagez pas le tapis.

Important **ES** No dañes la alfombra.

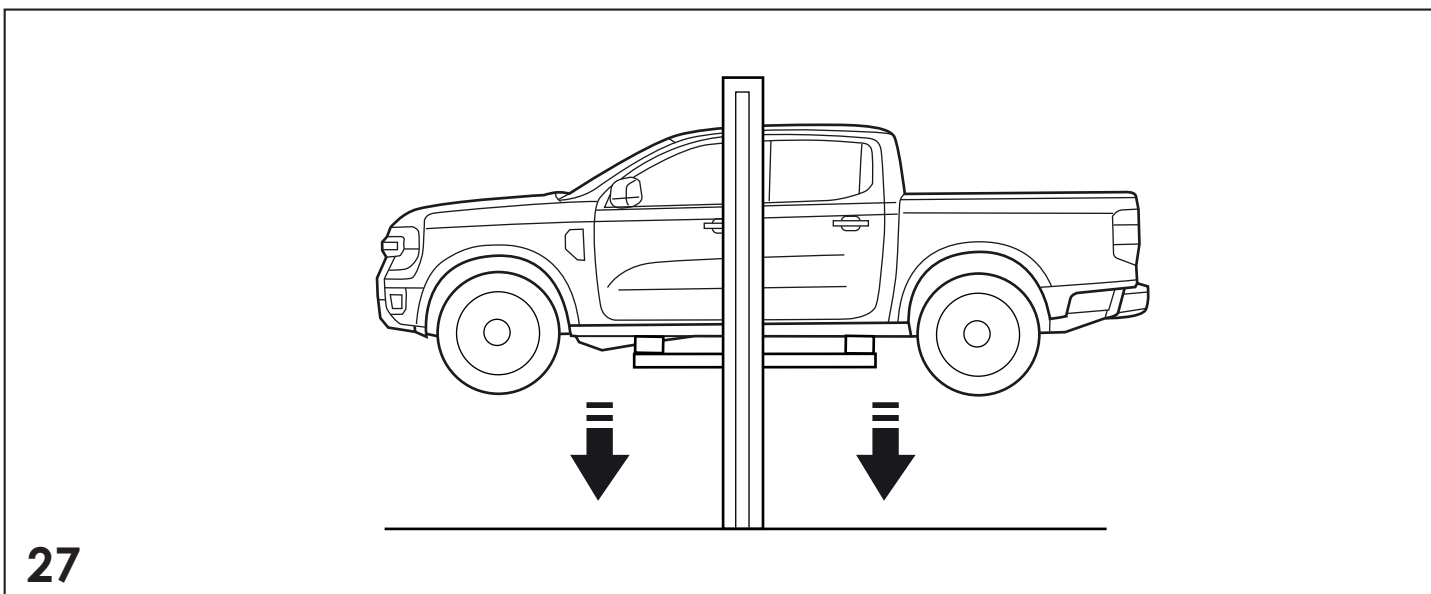
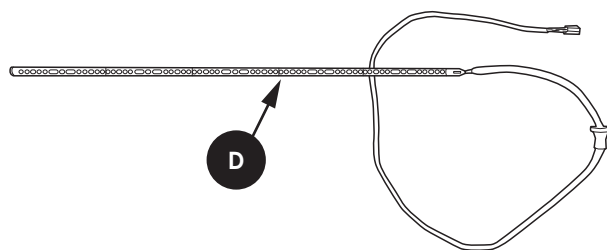
23

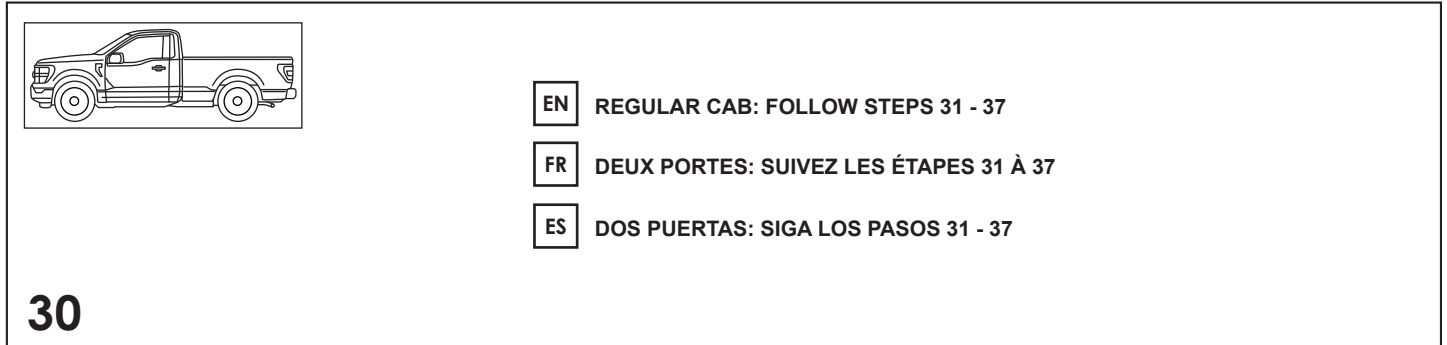
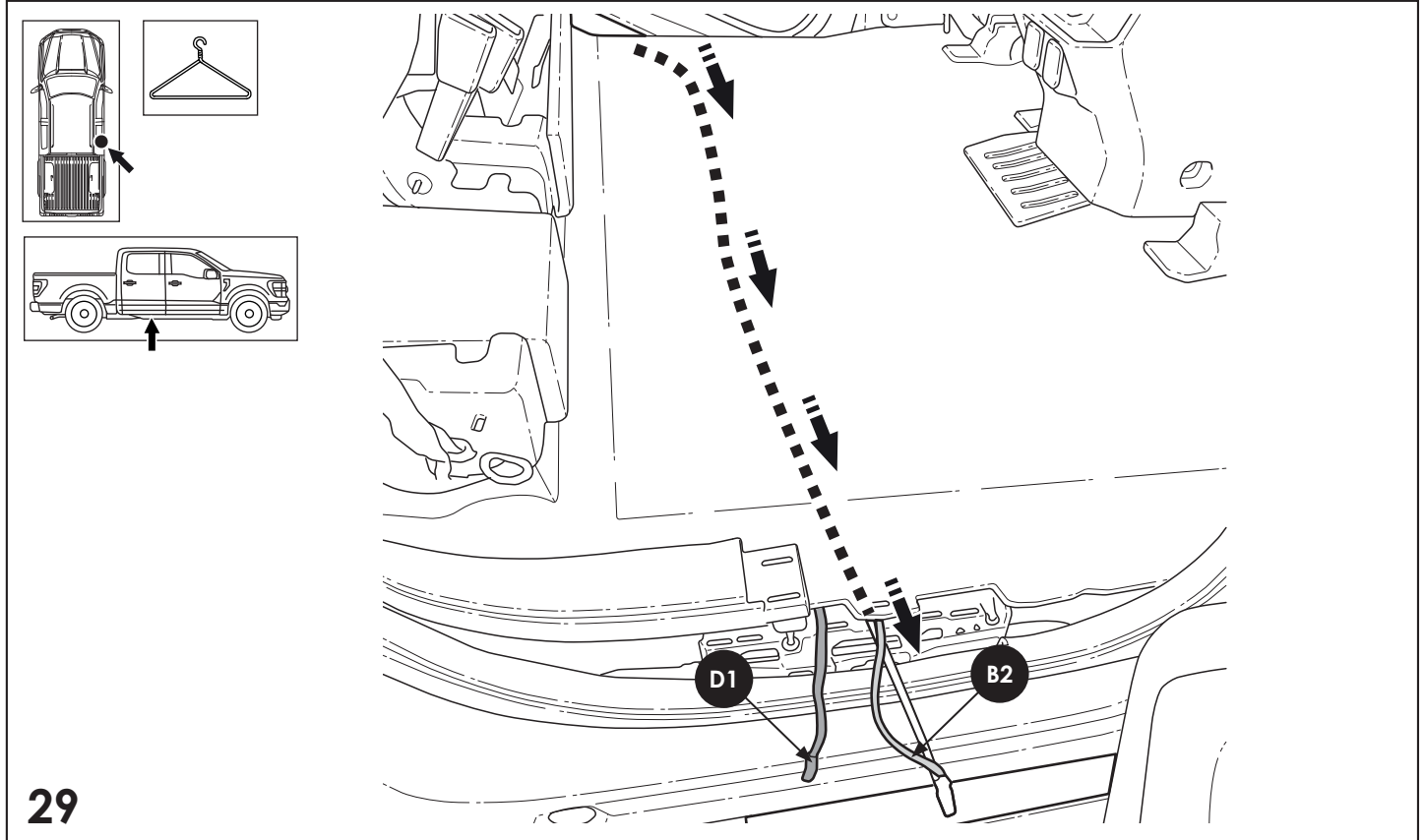
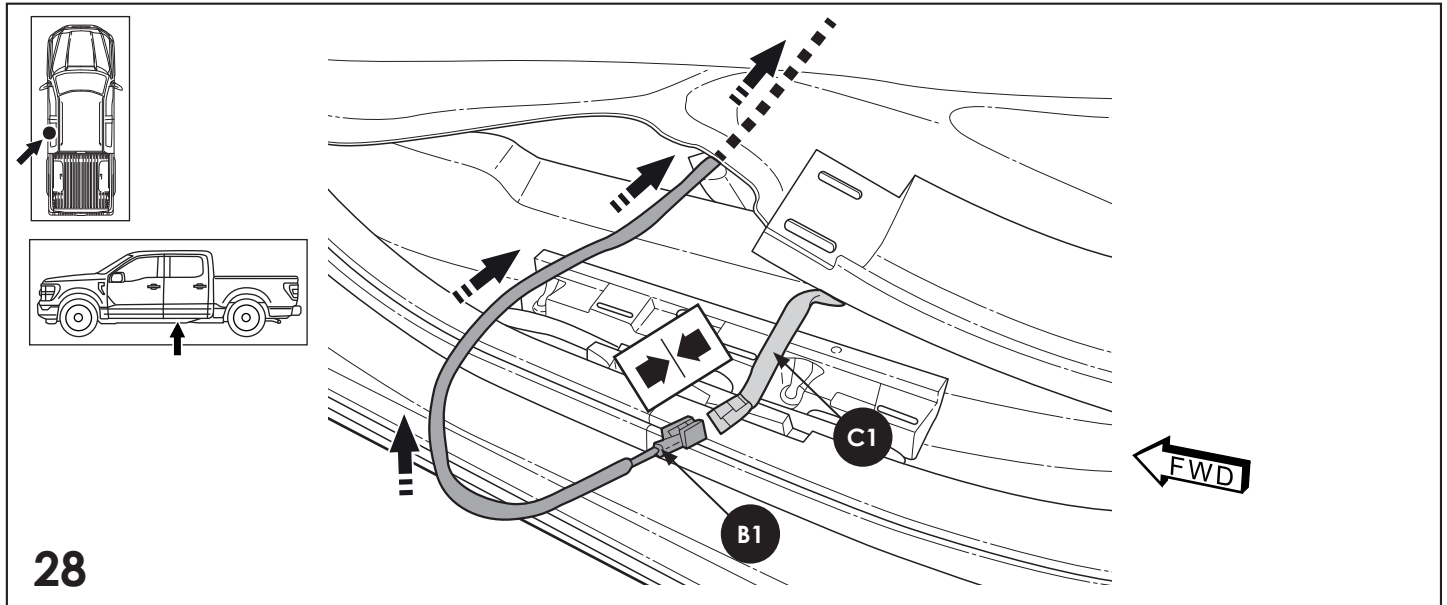


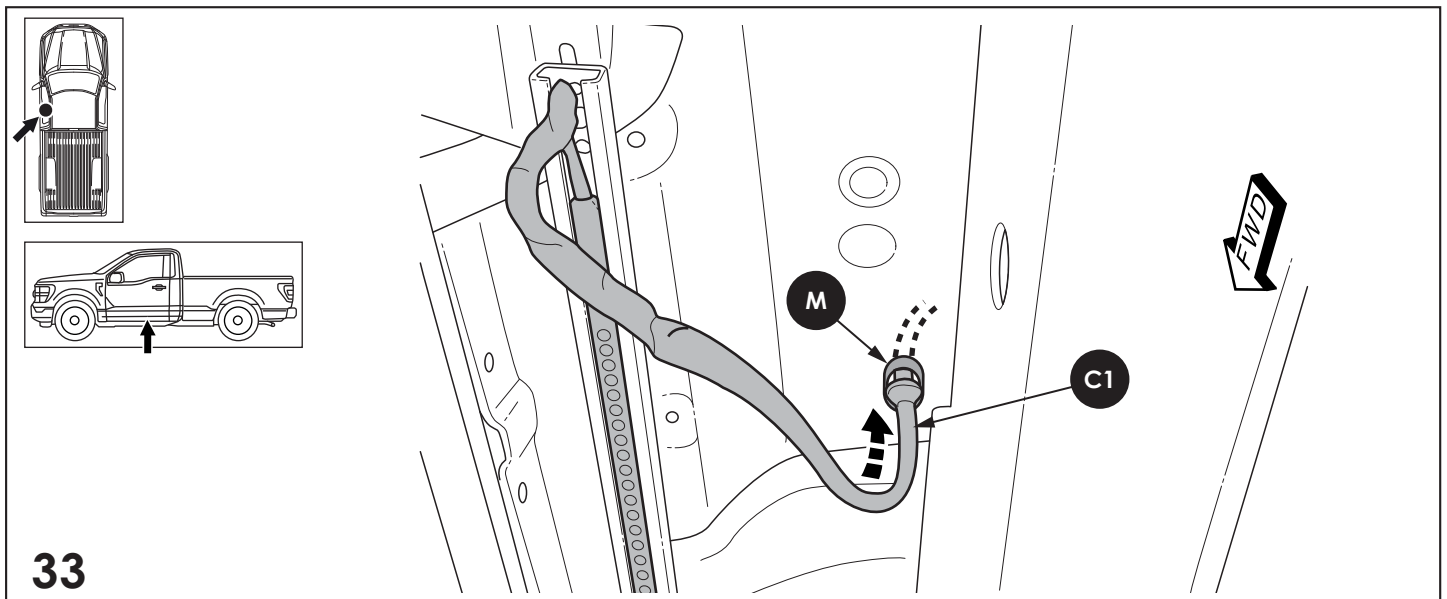
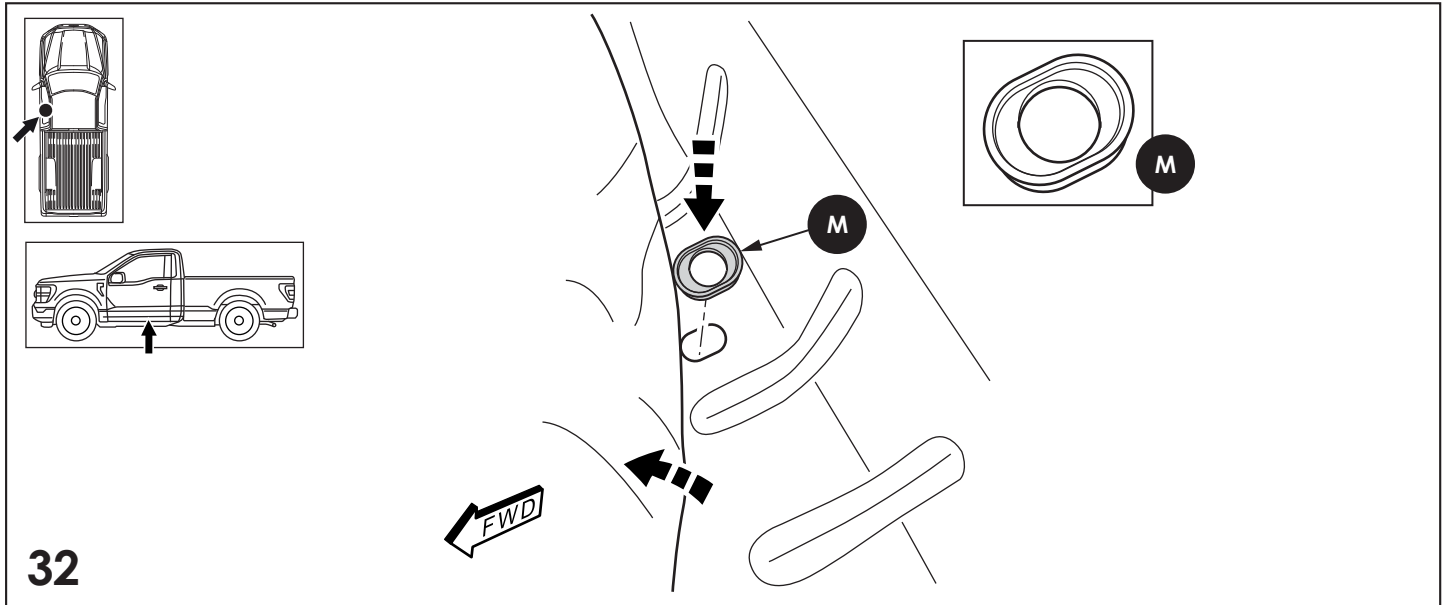
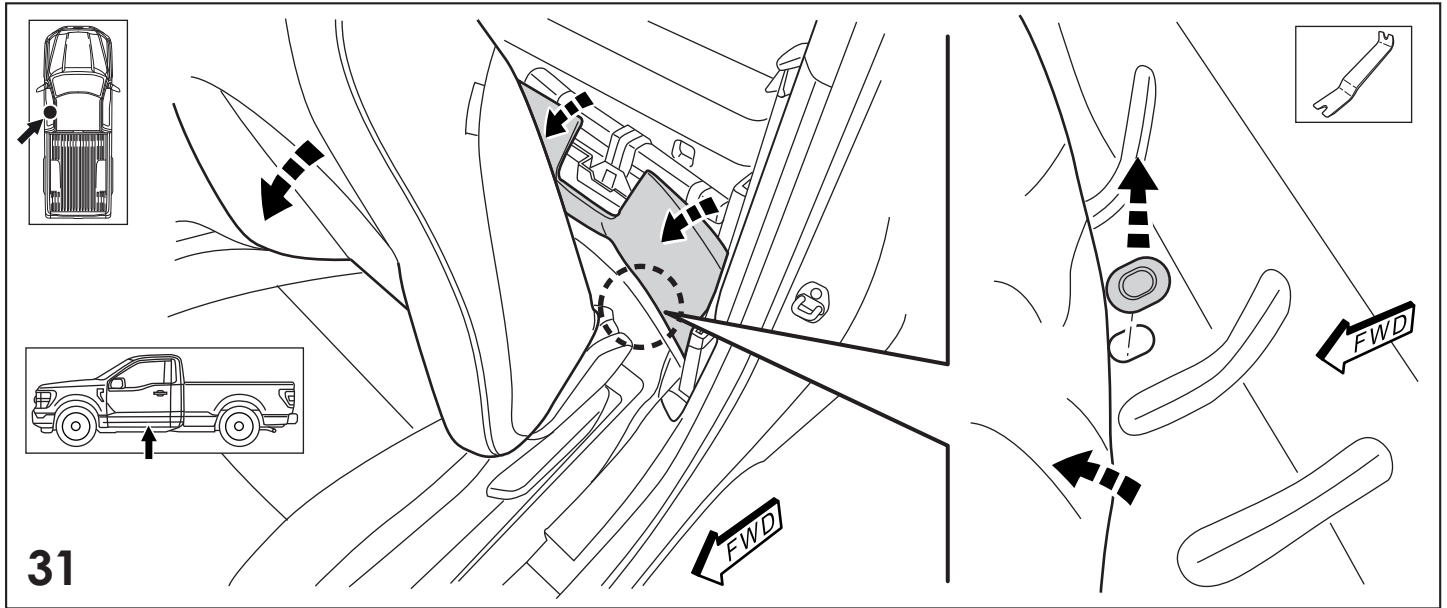
24

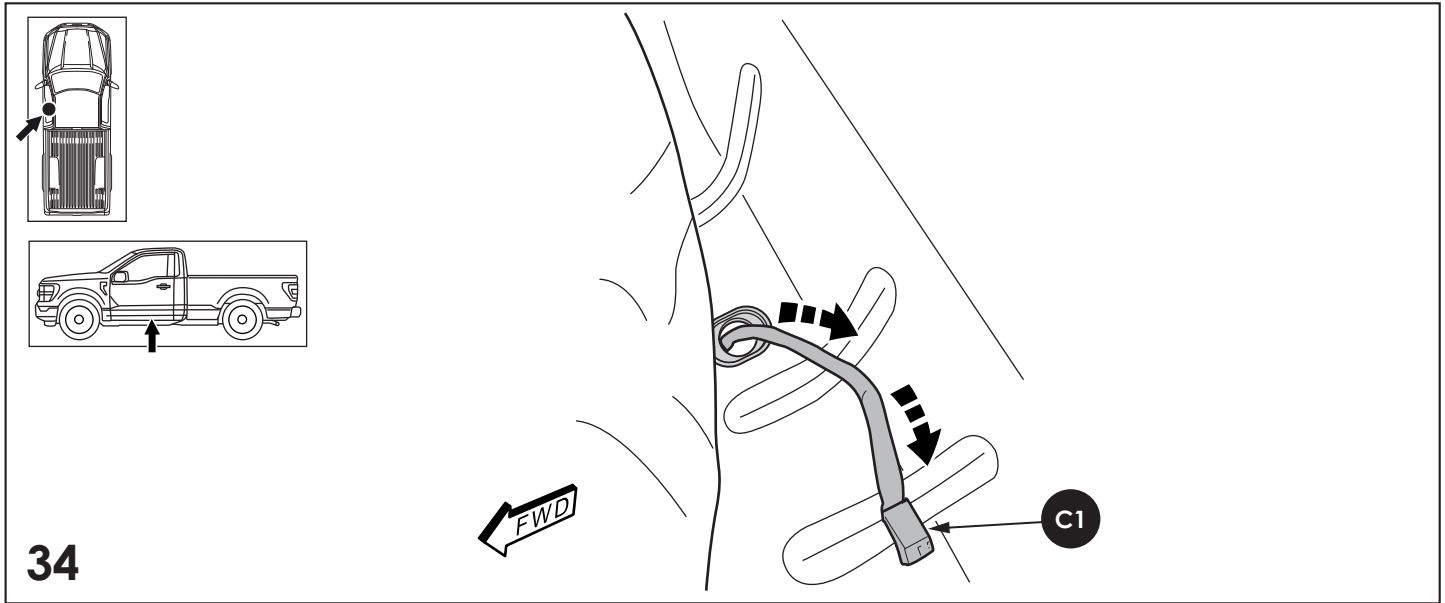


- EN** Repeat Steps 23 - 25 on the Passenger side
- FR** Répétez les étapes 23 à 25 du côté passager
- ES** Repetir pasos 23 - 25 del lado del pasajero

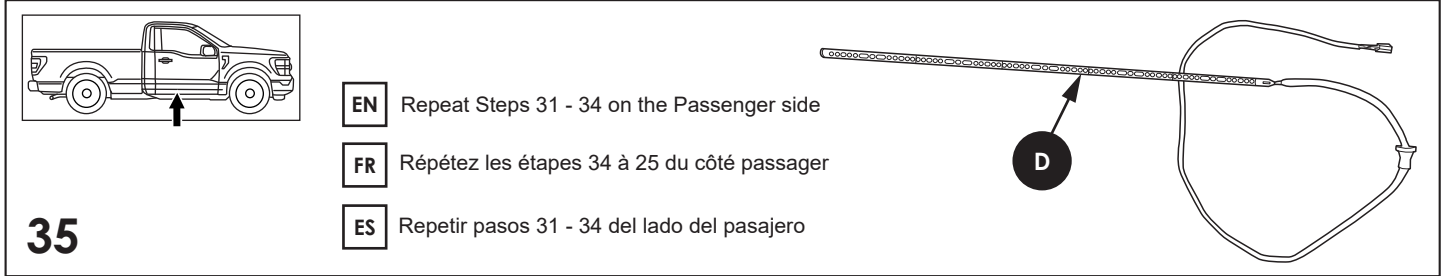




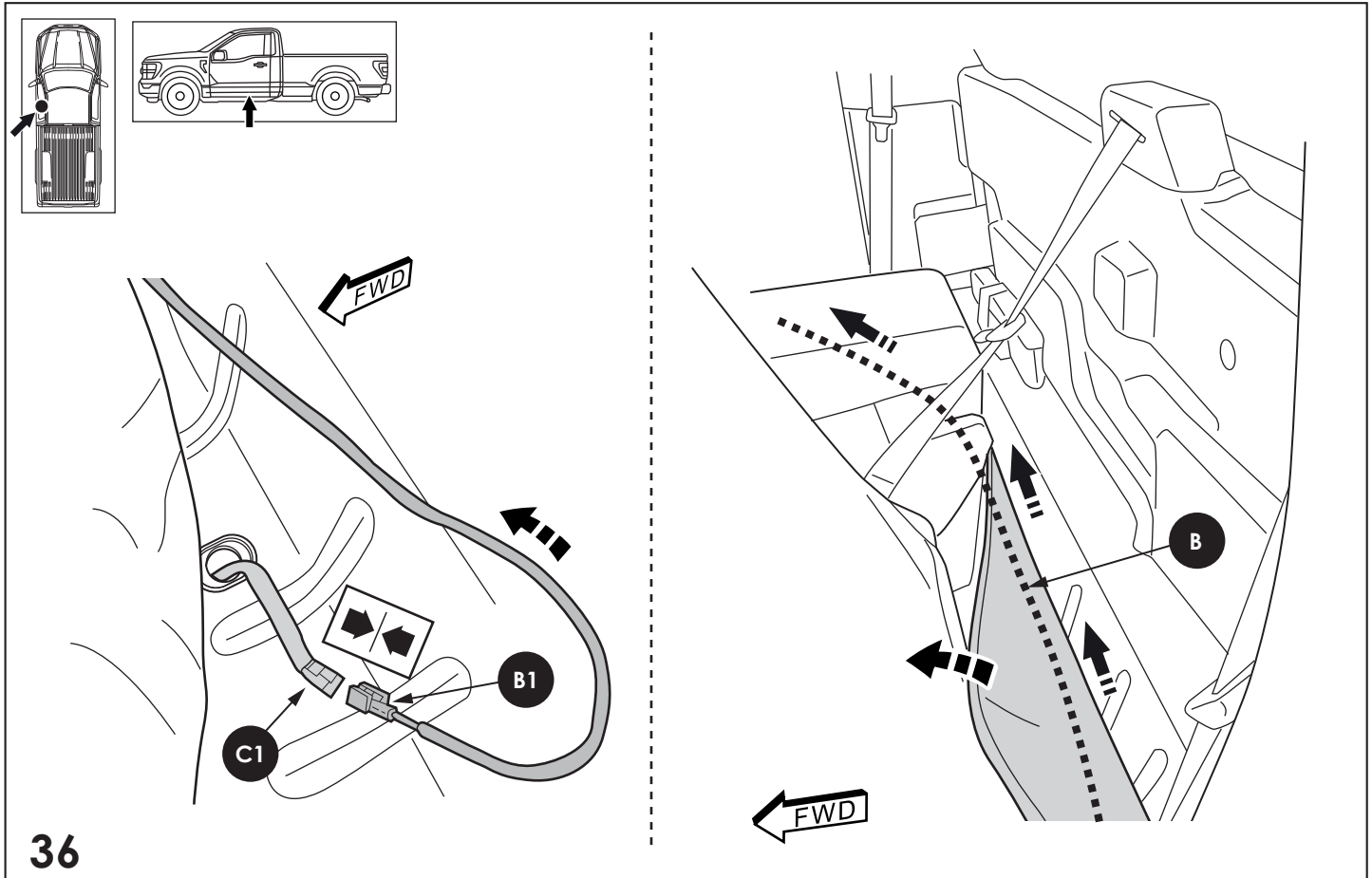




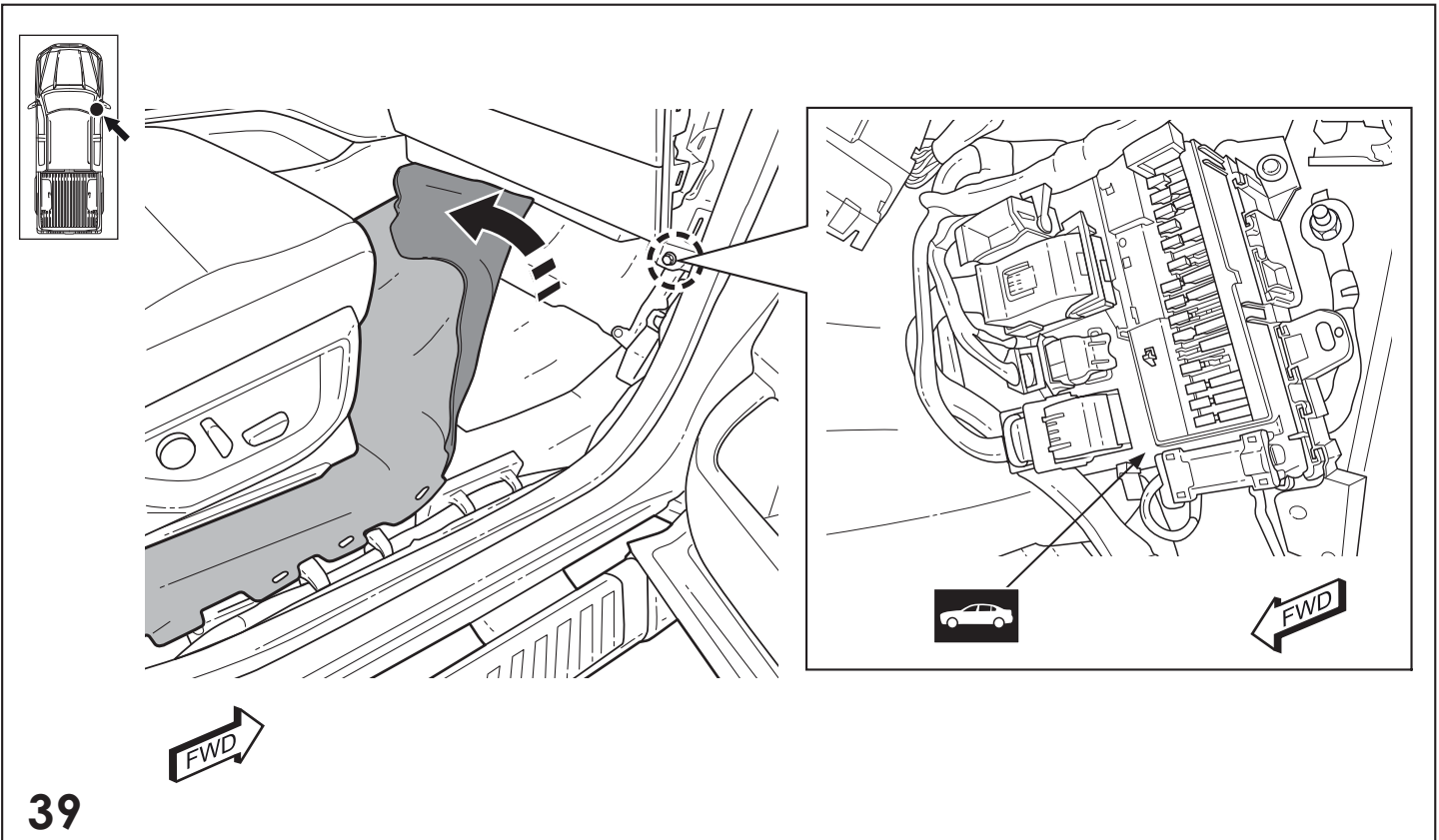
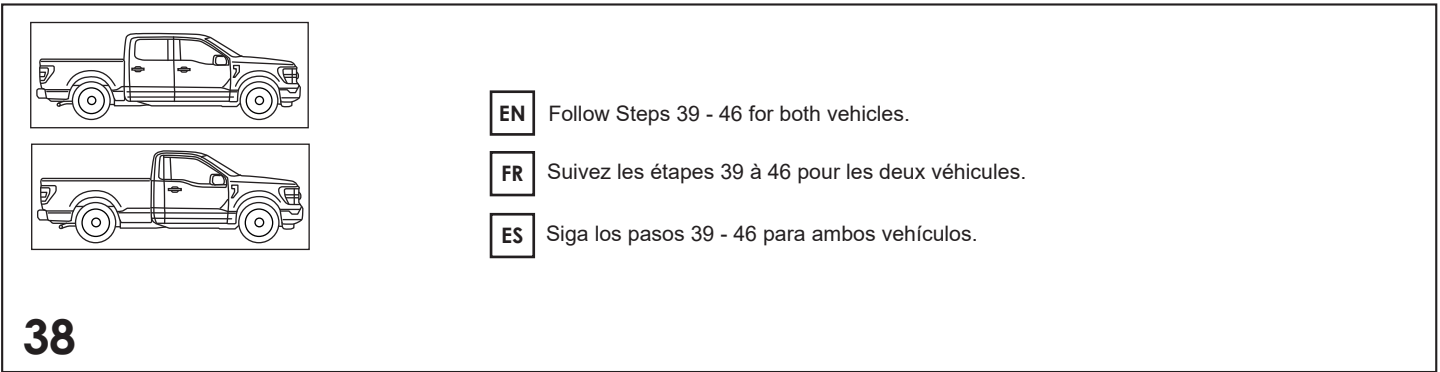
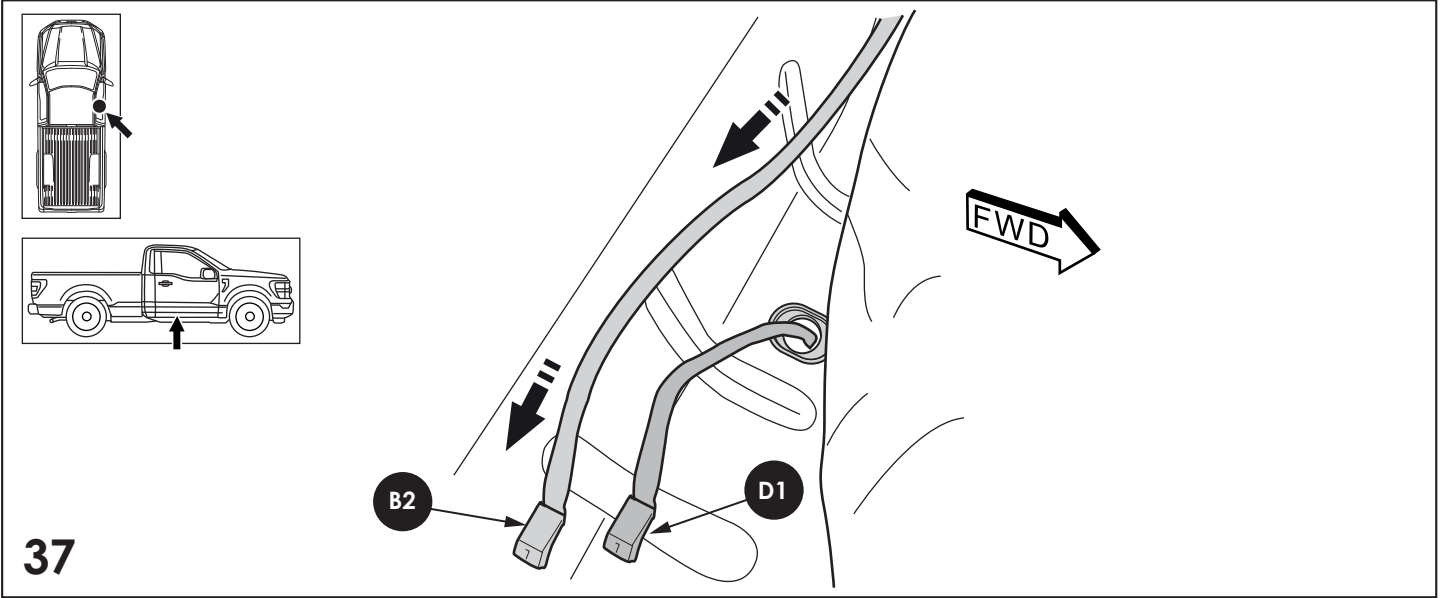
34

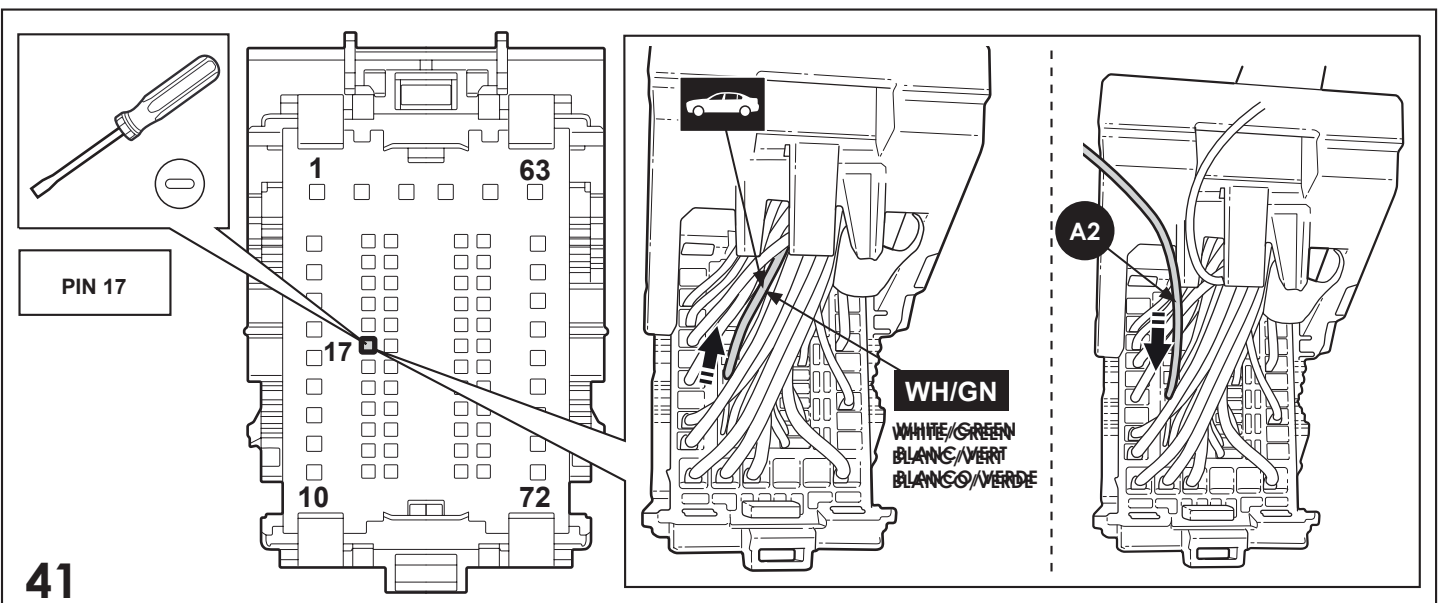
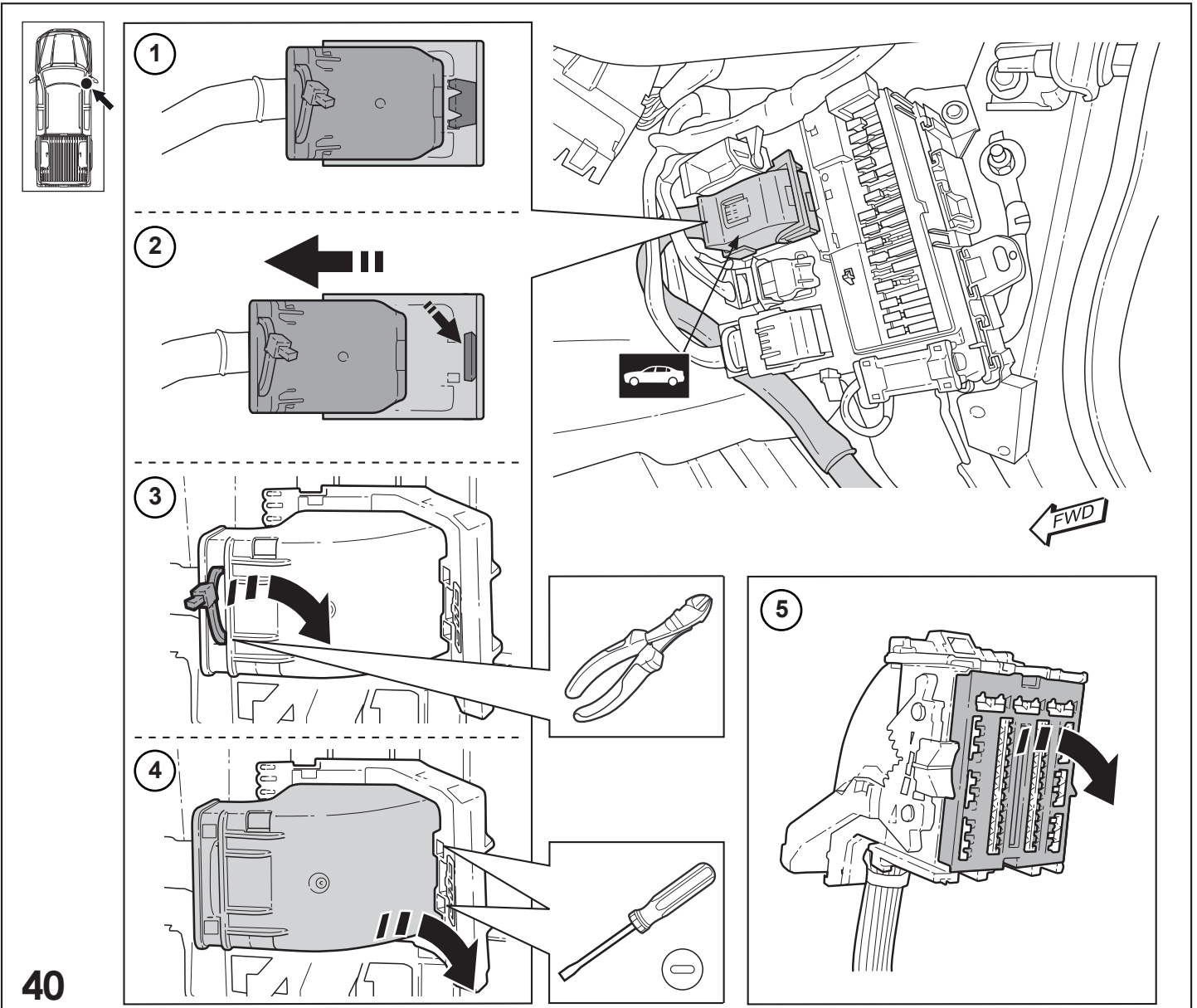


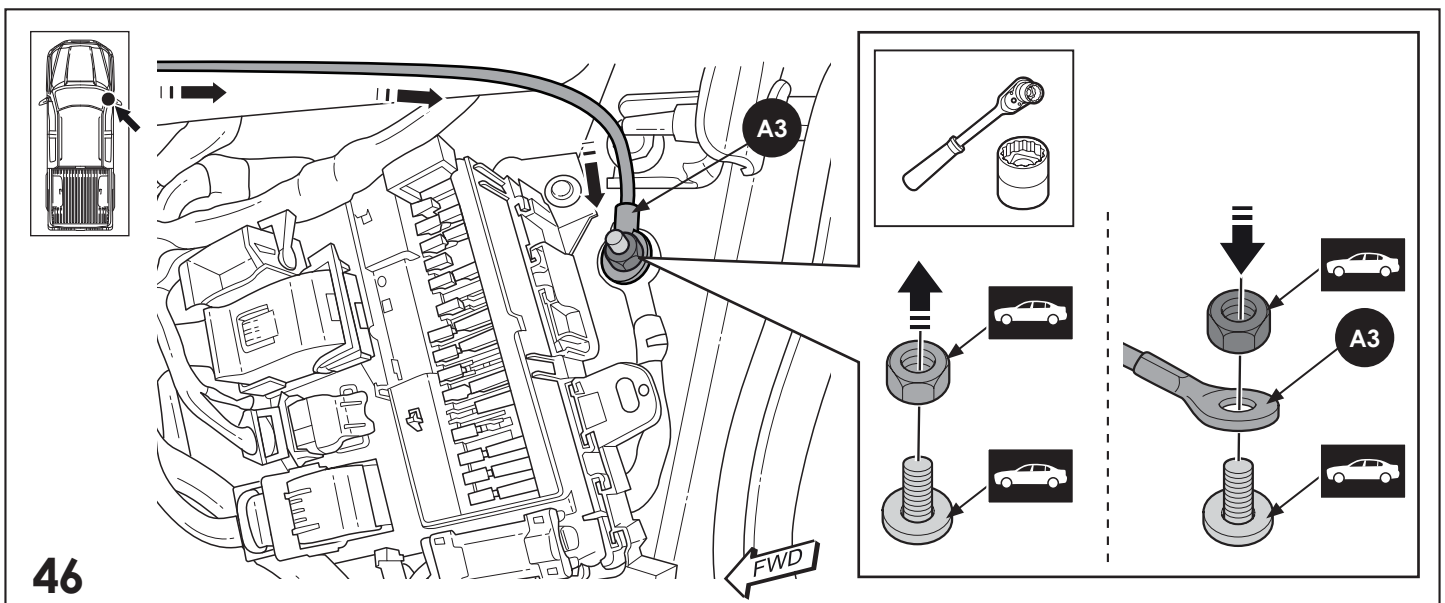
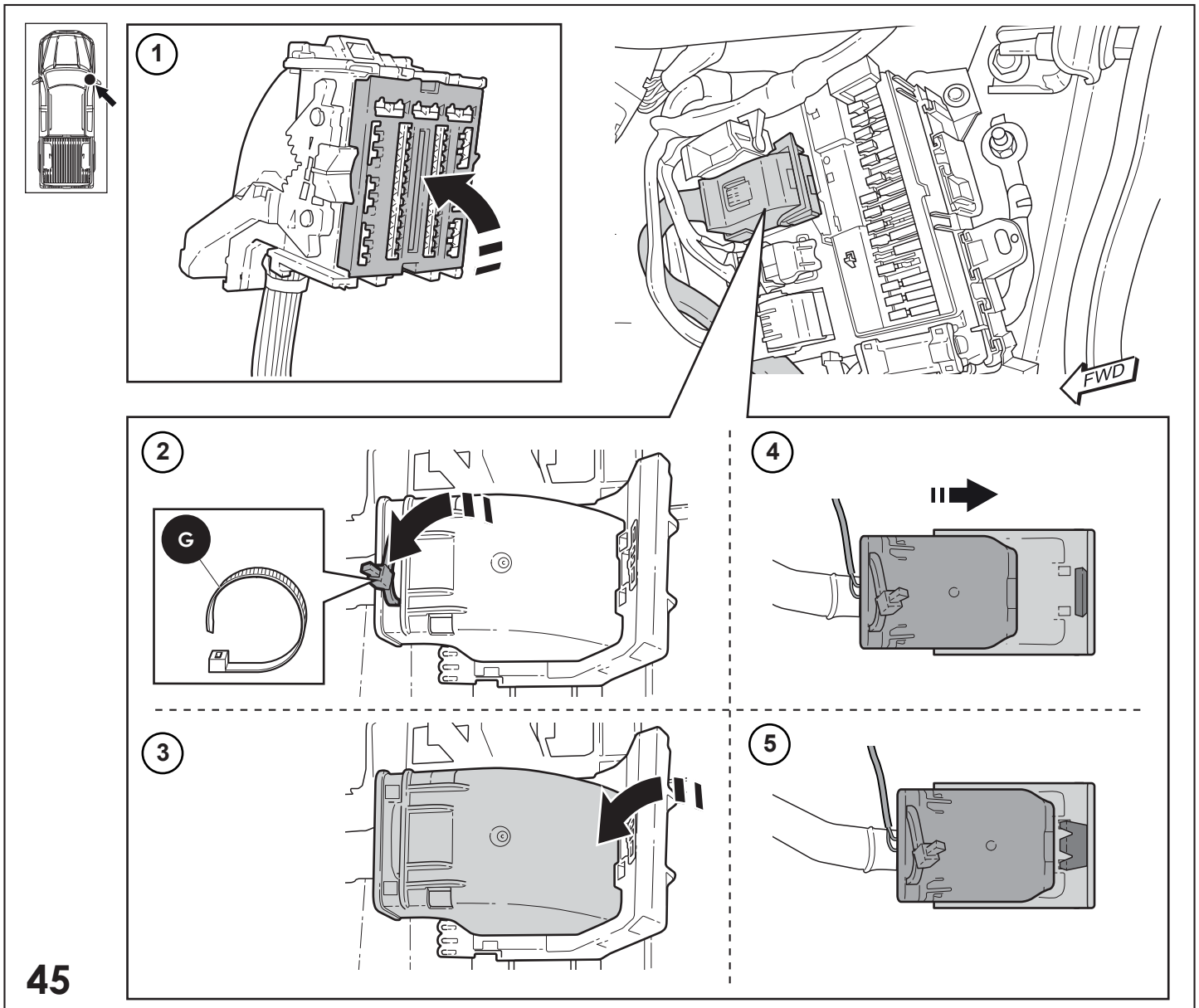
35

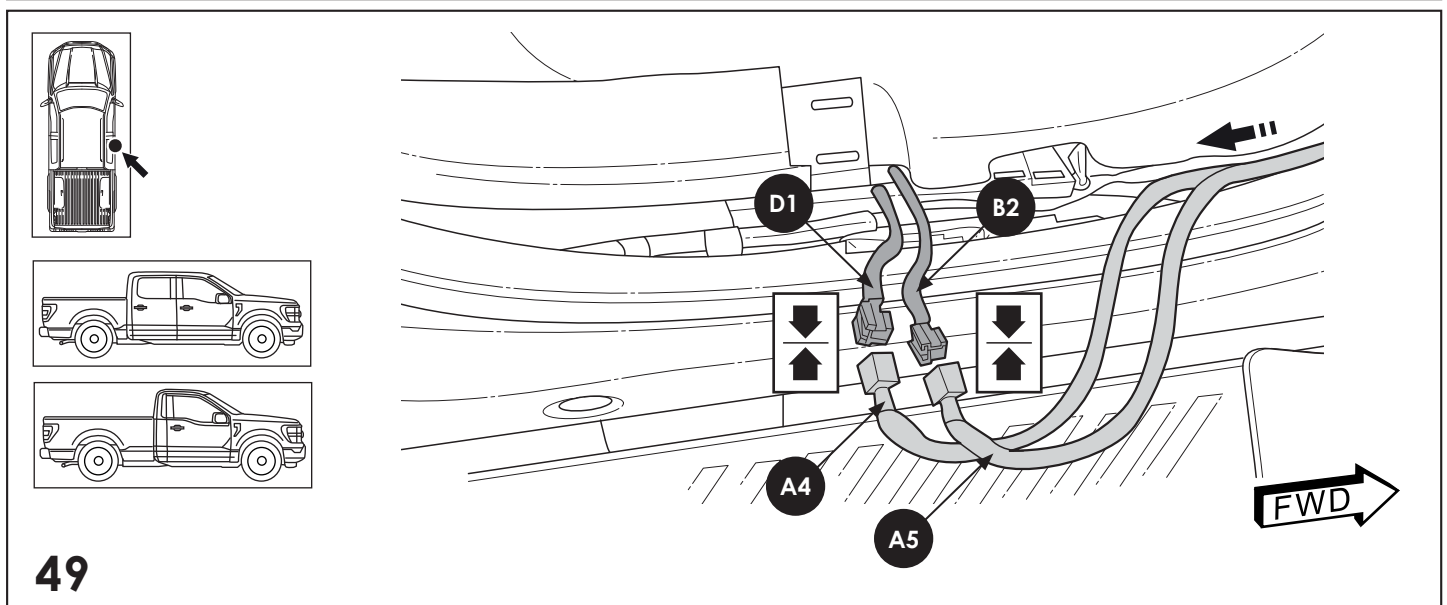
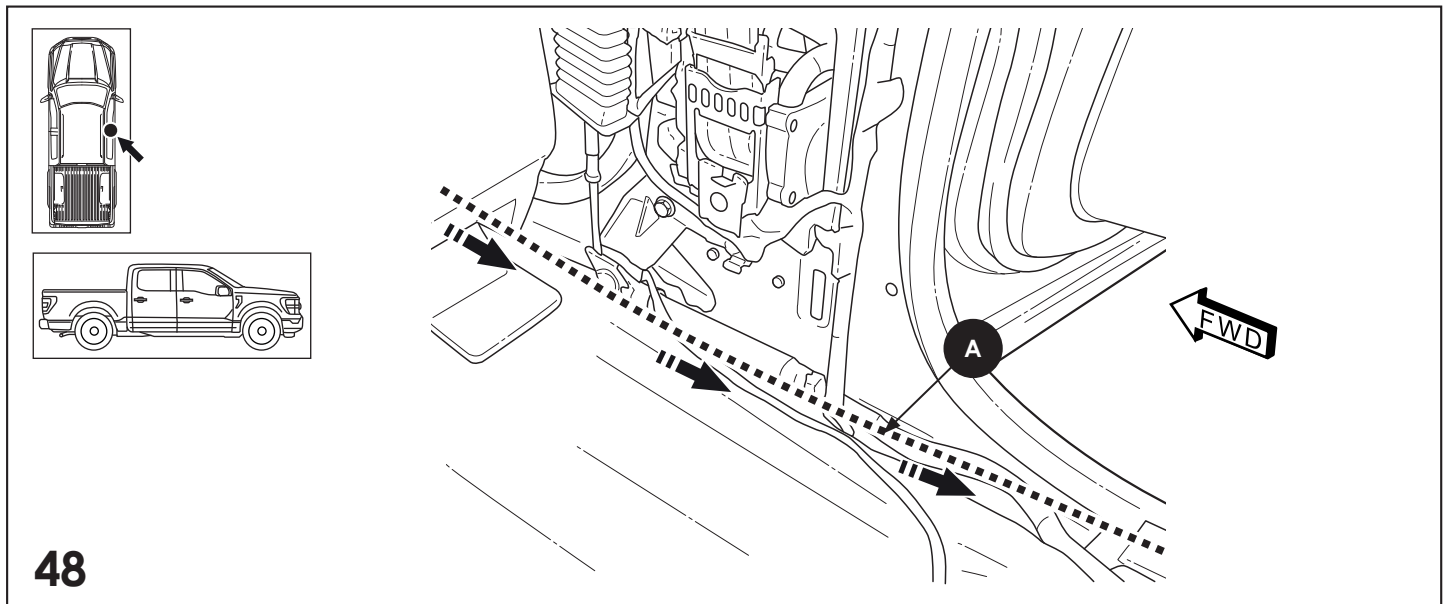
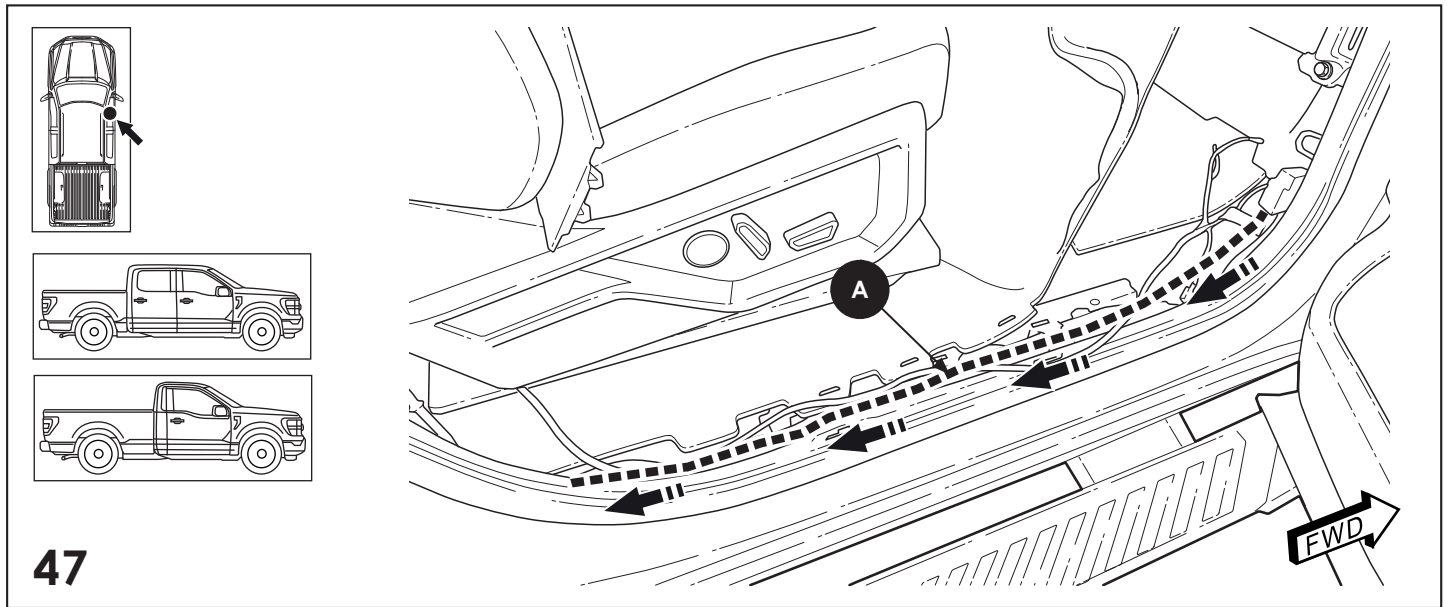


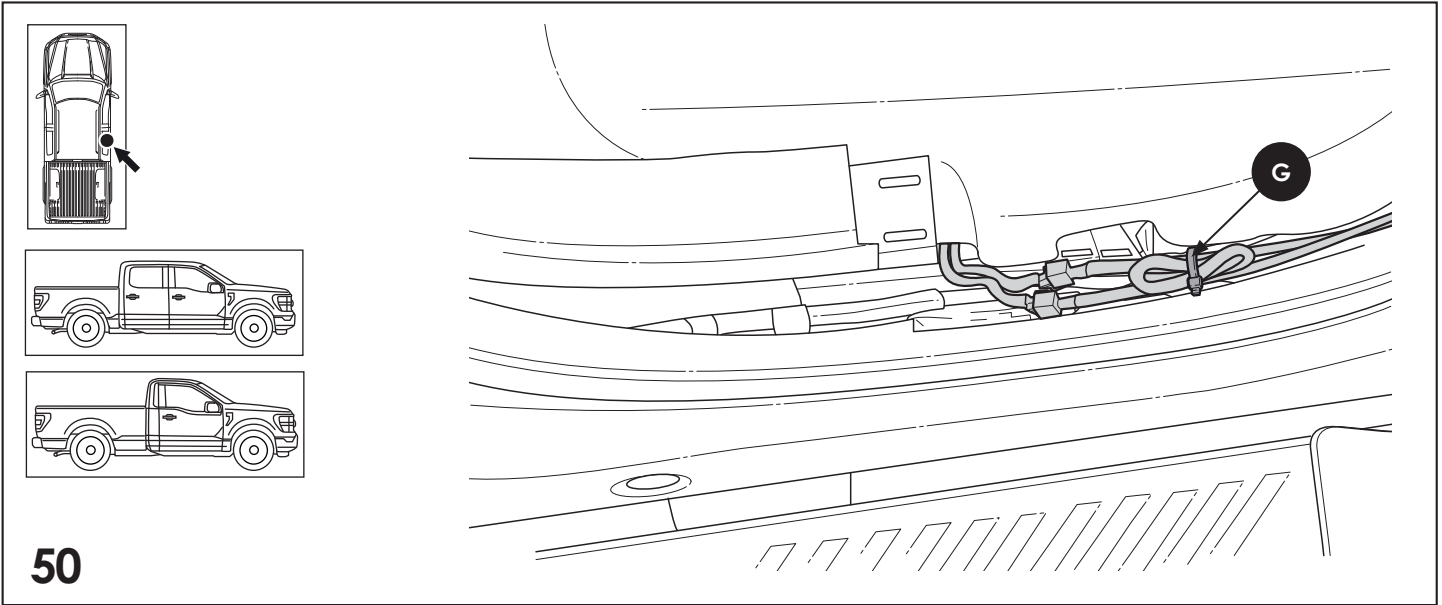
36










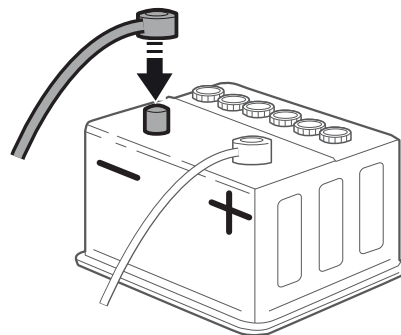




50

- Important**  **EN** Reverse steps 10 - 2 to reinstall interior components.
- Important**  **FR** Inversez les étapes 10 à 2 pour réinstaller les composants intérieurs.
- Important**  **ES** Invierta los pasos del 10 al 2 para reinstalar los componentes interiores.

51



52



LIMITED WARRANTY

All Ford Part numbers provided by Lumen North America, Inc. are warranted to be free from defects in materials or workmanship on products properly installed per the installation instructions provided with the product. This warranty covers repair or replacement of any defective product at no charge during the applicable warranty period listed below. Labor for replacement or service of defective product is not paid or reimbursed by Lumen North America, Inc.

WARRANTY PERIOD		
	USA	OUTSIDE USA
Product which appears on New Vehicle Monroney Label (Window Sticker)	Coverage which matches new vehicle warranty: Ford - 3 years or 36,000 Miles whichever comes first; Lincoln - 4 years or 50,000 miles whichever comes first	Coverage which matches new vehicle warranty: Ford - 3 years or 60,000 kilometers whichever comes first; Lincoln - 4 years or 80,000 kilometers whichever comes first
Part Purchased and installed during or after the original vehicle warranty	Whichever of the following options which provides the greater benefit to the customer: 1) 2 Years / unlimited Miles 2) The remainder of the new vehicle warranty	Whichever of the following options which provides the greater benefit to the customer: 1) 2 Years / unlimited kilometers 2) The remainder of the new vehicle warranty

This limited warranty does not cover any damage, defect or malfunction caused by misuse, abuse, accident, improper installation, modification or improper or lack of maintenance. Incidental and consequential damages are not recoverable under this warranty. This warranty offers you specific legal rights. You may have additional or other rights as which vary from state to state or province to province.

If you experience a warranty issue with this product please visit your Ford Dealer. If the repair is covered by the warranty above and completed by the dealership, labor is also covered by Ford - Ford Warranty and Policy - Section 3.

Please note that Lumen North America, Inc has replacement component parts available to assist consumers and dealers to resolve warranty and non-warranty issues as quickly as possible.

Note to Dealer: Ford dealers should contact Lumen North America, Inc. by phone at 248-289-6100 and ask to speak to the warranty administrator OR contact by email at: warranty@lumen-na.com